



Workersbee
Official Whatsapp



Workersbee
Official Website

Suzhou Yihang Electronic Science & Technology Co., Ltd.

✉ info@workersbee.com

🌐 <http://www.workersbee.com>

📍 **Group Headquarters:** 538 Fang Qiao Road, SIP-Xiangheng Cooperative Zone, Suzhou, China

East China Factory: No. 262, Deyu Road, Xinwu Hongshan, Wuxi, Yihang Science and Technology Park

South China Factory: Building 17, No. 3 Industrial Park, Nangang, Shiyan, Baoan, Shenzhen

Workersbee Product Brochure

The World's Leading Provider of
EV Charging Solutions

Contents

Culture

- Company Profile ----- 004
- Milestone ----- 005
- Certifications ----- 006
- Our Markets ----- 007
- Partners ----- 007
- Our Advantages ----- 008

Commercial Charging Solutions

- GB Charging Plugs ----- 011
- CCS 2 Charging Plugs ----- 019
- CCS 1 Charging Plugs ----- 028
- TESLA NACS Charging Plugs ----- 032

Residential Charging Solutions

- Portable EV Chargers ----- 036
- EV Charging Cables ----- 046

Accessories

- Charging Sockets ----- 051
- Dummy Sockets ----- 058
- Charging Adapters ----- 060

Applications

- Applications ----- 066

Company Profile

Workersbee is an enterprise engaged in the R&D, design, manufacturing and sales of **electric vehicle charging components** (charging plugs, charging sockets, vehicle chargers, etc.).

Founded in 2007, the company is located at 538 Fangqiao Road, SIP-Xiangcheng Cooperative Zone, Xiangcheng, Suzhou, China, with a registered capital of 29.5 million CNY. The company has passed **ISO 9001:2015** and **IATF16949:2016** quality management system, and got **TUV, CE, UKCA, UL, CQC** and other compulsory testing certifications for its products.

Workersbee has a dedicated R&D team of more than 100 employees, led by Dr. Yang Tao of the National Thousand Talents Program. This workforce is specialized in materials, structures, electronics, electrical appliances, software, hardware, technology and etc. Currently, Workersbee has obtained more than 180 patents, including 16 invention patents.

The company has three major manufacturing bases in Wuhan, Wuxi and Shenzhen, covering a comprehensive supply chain, from core components to control systems, all of which can be self-developed and produced.

Our customers include **BYD, NIO, State Grid, Siemens**, etc. In October 2022, **we established an European entity in the Netherlands**, to provide European customers with localised services such as warehousing, pre-sales, after-sales services and technical support.

Our vision is to become the world's leading provider of EV charging solutions. Our goal is to become one of the TOP3 brands of charging components in China within 5 years. Our mission is to make charging carefree. We actively promote the company's core values of "Being Diligent and Happy, and Work in a Team like Worker Bees. Our group is like a hive which always serves as the home of workers. **We fulfill simplicity to the extreme**, providing customers with refined, quality products and services.



Culture



Milestone



Certifications

Workersbee® has been granted a number of invention patents, utility model patents and design patents, and has registered trademarks in China, Europe, North America, among other regions.

The company has passed IATF16949 and ISO9001 quality management system certifications. It has also passed authoritative certifications for its products, including CE, TUV, RoHS, CB, UKCA, UL, etc.



Invention Patent Certification **60+**

Certification of Outstanding Brand Achievement **100+**



Software Copyright Certification **40+**

TUV/UL/CE and other Product Certificates **200+**

Our Markets



Our Partners



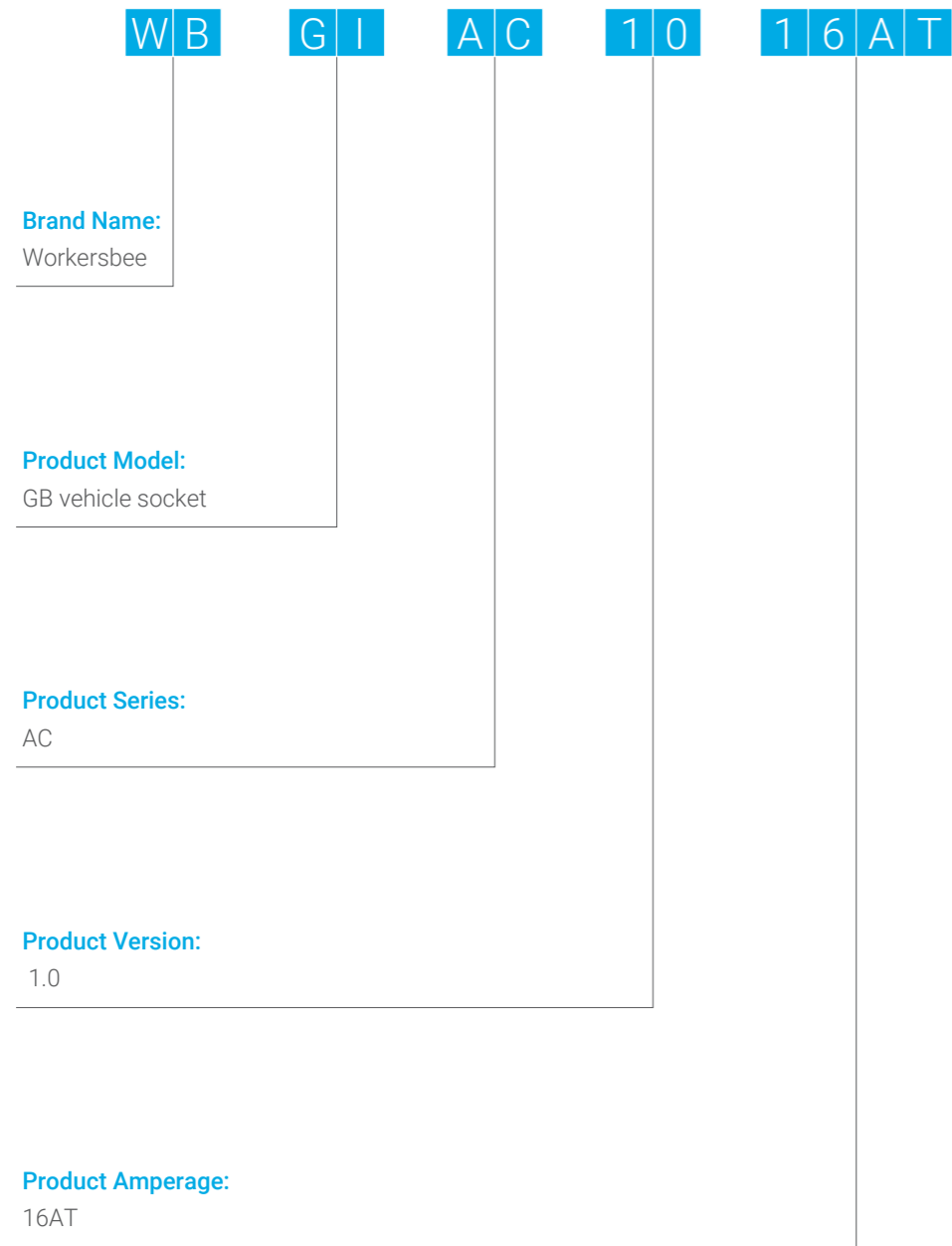
Our Advantages

- Innovation Driven by Integrated R&D, Production, and Quality Excellence;
- Trusted Partner for Leading OEMs;
- Alibaba Global Premium Merchant;
- Co-Founded by Dr. Yang Tao, a renowned expert in electrical power engineering;
- Extensive international sales experience, driving growth through innovative brand and channel strategies.



Product Model Number Format

Product model numbers for plugs and components



For example:
 WB-GI-AC1.0-16AT indicates Workersbee brand, GB vehicle socket, AC version 1.0, 16A three phase.

Product Model:

- GI: GB vehicle socket
- GS: GB charger side socket
- GC: GB vehicle plug
- GP: GB charger side plug
- II: CCS 2 vehicle socket
- IS: Type 2 charger side socket
- IC: CCS 2 vehicle plug
- IP: Type 2 charger side plug
- SI: Type 1 vehicle socket
- SC: Type1 vehicle plug
- GP2: GB mode 2
- IG3: GB and Type 2 dual connectors
- GG: GB wall socket
- IP2: Type 2 charger mode 2
- IP3: Type 2 charger dual connectors
- IG: CCS 2/Type 2 charger wall socket
- SP2: CCS 1/Type 1 mode 2
- IS3: Type 2 and Type 1 dual connectors
- SG: CCS 1/Type 1 wall socket

Product Series:

- DC
- AC

Product Version:

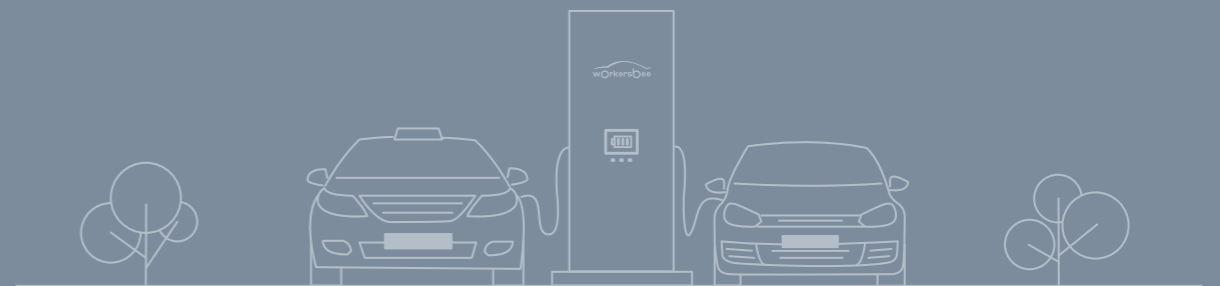
- 1.0: First Generation
- 2.0: Second Generation

Product Amperage and Phases:

- 16AT (Three phase AC)
- 16AS (Single phase AC)
- 250A(DC)



Commercial Charging Solutions



GB High-power Liquid Cooling (GB DC Charging Plug 4.0)

- Up to 600A output current, oil-cooled or water-cooled
- 5 minutes charging for 200+km range
- Lightweight and ergonomic for easy operation

Features and Advantages:

- Develop and produce in accordance with GB/T 20234.3 and IATF16949
- Lightweight and ergonomically designed, the cable is easy to operate and user-friendly
- The liquid cooling cable promises lower power consumption, saving energy and protecting the environment
- Outstanding cooling structure, dissipating heat from cable conductors and terminals synchronously
- Meets the requirements for use at an altitude of 4000m
- Modular electronic lock that can be replaced quickly without the need to replace the entire plug of the charger
- Safe against overheating with temperature measurement at every DC power contact

Note: Available with your logo on request.



Product Parameters

Model No.	Max Current	Cable Specification	Cable Material	Cable Outer Diameter	Liquid Cooling
WB-GC-DC4.0	600A	4x25+1x6+2x2.5+2x0.75(P2)+3x0.5(P2)+5x0.5	TPU	29.5mm	YES
	400A	2x16+1x6+2x2.5+2x0.75(P2)+3x0.5(P2)+5x0.5	TPU	26.5mm	

Specification	Parameter		
Rated Current	400A/600A	Altitude	< 4000m
Rated Voltage	1000V DC	Coolant Medium	Water + Ethylene Glycol Aqueous Solution /Dimethicone
Withstand Voltage	3500VAC, leakage<5mA (between DC+/DC-/PE)	Coolant Capacity	Approx. 2.5L(5m cable)
Insulation Resistance	>500MΩ Compliant with GB/T11918.1-2014 under thermal conditions	Coolant Pressure	Approx. 3.5-8bar
Temperature Rise	<50K	Coolant Flow Rate	1.5-3L/min
Insertion & Withdrawal Force	<140N	Liquid Cooling System Power Consumption	<160W
Plug Lifespan	>10000 Mating Cycles	Liquid Cooling System Noise Output	<60dB
Protection Rating	IP67	Heat Exchange Rate	170W@300A 255W@400A 374W@500A 530W@600A
Flammability Rating	UL94V-0	Warranty	24 Months
Operating Environment Temperature	-30°C - +50°C		

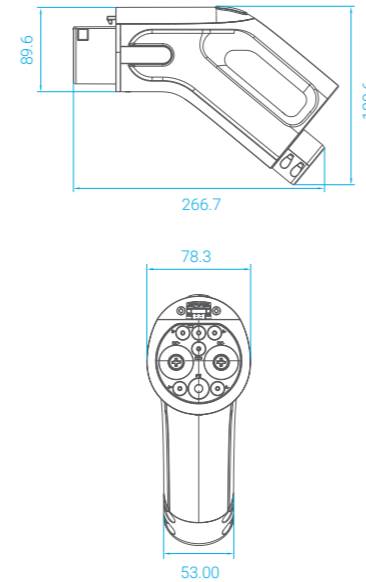
GB High-power Natural Cooling (GB DC Charging Plug 4.0)

- Up to 250A output current, natural heat dissipation, liquid cooling not necessary
- Ultrasonic welding, close to zero resistance, extremely cost-effective

Features and Advantages:

- Develop and produce in accordance with GB/T 20234.3 and IATF16949
- Lightweight and ergonomically designed, the cable is easy to operate and user-friendly
- Meets the requirements for use at an altitude of 4000m
- Modular electronic lock that can be replaced quickly without the need to replace the entire plug of the charger
- Real-time monitoring of DC contact temperature to prevent overheating

Note: Available with your logo on request.



Product Parameters

Model No.	Max Current	Cable Specification	Cable Material	Cable Outer Diamete	Liquid Cooling
WB-GC-DC4.0	250A	4x35+1x6+2x2.5+3x0.75(P2)+7x0.75	TPU	33.5mm	NO

Specification	Parameter	Specification	Parameter
Max Current	250A	Altitude	< 4000m
Rated Voltage	1000V DC	Insertion & Withdrawal Force	< 140N
Withstand Voltage	3500VAC, leakage<5mA (between DC+/DC-/PE)	Plug Lifespan	> 10000 Mating Cycles
Insulation Resistance	> 500MΩ Compliant with GB/T11918.1-2014 under thermal conditions	Protection Rating	IP55
Temperature Rise	< 50K	Flammability Rating	UL94V-0
Operating Environment Temperature	-30°C- +50°C	Warranty	24 Months

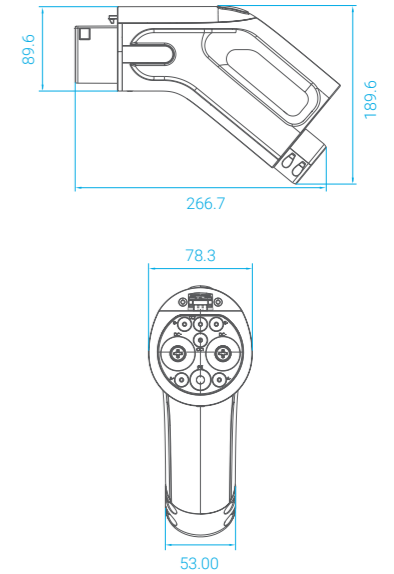
GB DC (GB DC Charging Plug 4.0)

- Electronic lock that can be changed quickly

Features and Advantages:

- Develop and produce in accordance with GB/T 20234.3 and IATF16949
- Lightweight and ergonomically designed, the cable is easy to operate and user-friendly
- Meets the requirements for use at an altitude of 4000m
- Modular electronic lock that can be replaced quickly without the need to replace the entire plug of the charger
- Real-time monitoring of DC contact temperature to prevent overheating

Note: Available with your logo on request.



Product Parameters

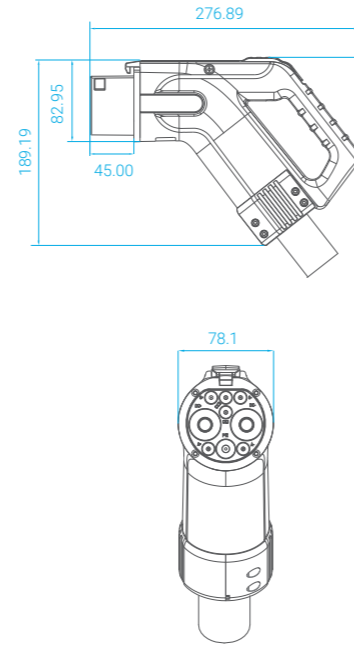
Model No.	Rated Current	Cable Specification	Cable Material	Cable Outer Diamete	Liquid Cooling
WB-GC-DC4.0	200A	4x25+1x6+2x2.5+3x0.75(P2)+7x0.75	TPU	29.0mm	NO
	150A				
	125A				
	80A				

Specification	Parameter	Specification	Parameter
Rated Current	200A/150A/125A/80A	Altitude	< 4000m
Rated Voltage	1000V DC	Insertion & Withdrawal Force	< 140N
Withstand Voltage	3500VAC, leakage<5mA (between DC+/DC-/PE)	Plug Lifespan	> 10000 Mating Cycles
Insulation Resistance	> 500MΩ Compliant with GB/T11918.1-2014 under thermal conditions	Protection Rating	IP55
Temperature Rise	< 50K	Flammability Rating	UL94V-0
Operating Environment Temperature	-30°C- +50°C	Warranty	24 Months

GB DC (DC Charging Plug 2.0)

- Develop and produce in accordance with GB/T 20234.3 and IATF16949
- Ultrasonic terminal welding, contact resistance close to zero
- Real-time monitoring of DC contact temperature to prevent overheating

Note: Available with your logo on request.



Product Parameters

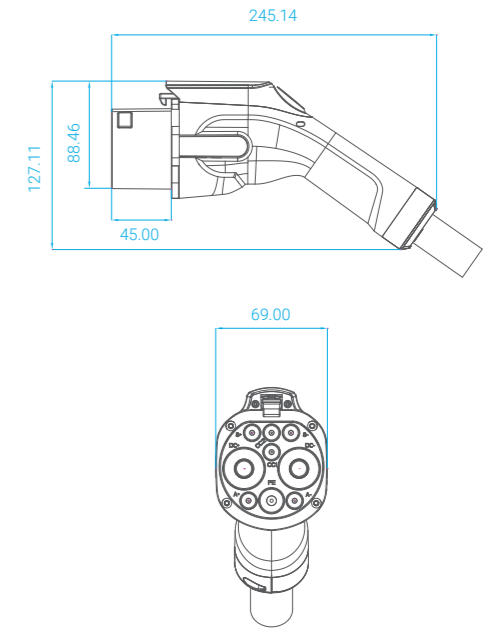
Model No.	Rated Current	Cable Specification	Cable Material	Cable Outer Diamete
WB-GC-DC2.0-250A	250A	2x80+1x25+2x4.0+P(6x1.0)+2P(2x1.0)	TPE	40.0mm
WB-GC-DC2.0-200A	200A	2x70+1x25+2x4.0+P(6x1.0)+2P(2x1.0)	TPE	39.5mm
WB-GC-DC2.0-150A	150A	2x50+1x25+2x4.0+P(6x1.0)+2P(2x1.0)	TPE	39.5mm
WB-GC-DC2.0-125A	125A	2x35+1x25+2x4.0+P(6x1.0)+2P(2x1.0)	TPE	34.0mm
WB-GC-DC2.0-100A	100A	2x25+1x25+2x4.0+P(6x1.0)+2P(2x1.0)	TPE	32.0mm

Specification	Parameter	Specification	Parameter
Rated Current	100A-250A	Mechanical Lifespan	>10000 Mating Cycles
Rated Voltage	750/1000V DC	Casing Protection Rating	IP54
Insulation Resistance	>500MΩ	Casing Material	Thermoplastic
Contact Resistance	0.5 mΩ Max	Terminal Material	Copper alloy, silver plated + thermoplastic top
Withstand Voltage	3500V AC	Operating Environment Temperature	-30°C- +50°C
Flammability Rating	UL94V-0	Terminal Temperature Rise	<50K
Insertion & Withdrawal Force	<140N	Warranty	24 Months
Certification	Compulsory Testing Report		

GB DC Wallbox (DC Charging Plug 3.0)

- Develop and produce in accordance with GB/T 20234.3 and IATF16949
- Ultrasonic terminal welding, contact resistance close to zero
- Real-time monitoring of DC contact temperature to prevent overheating

Note: Available with your logo on request.



Product Parameters

Model No.	Rated Current	Cable Specification	Cable Material	Cable Outer Diamete
WB-GC-DC3.0-80A	80A	2x16+1x10+2x1.5+(2x0.75)(P2)+5x0.75+(3x0.75)(P2)	TPE	25.5mm
WB-GC-DC3.0-60A	60A	2x16+1x10+2x1.5+(2x0.75)(P2)+5x0.75+(3x0.75)(P2)	TPE	25.5mm
WB-GC-DC3.0-50A	50A	2x10+1x6+2x1.5+(2x0.75)(P2)+5x0.75+(3x0.75)(P2)	TPE	24.5mm
WB-GC-DC3.0-40A	40A	2x8+1x4+2x1.5+(2x0.75)(P2)+5x0.75+(3x0.75)(P2)	TPE	24.0mm
WB-GC-DC3.0-32A	32A	2x6+1x4+2x1.5+(2x0.75)(P2)+5x0.75+(3x0.75)(P2)	TPE	23.5mm
WB-GC-DC3.0-20A	20A	2x4+1x2.5+2x1.5+(2x0.75)(P2)+5x0.75+(3x0.75)(P2)	TPE	22.5mm

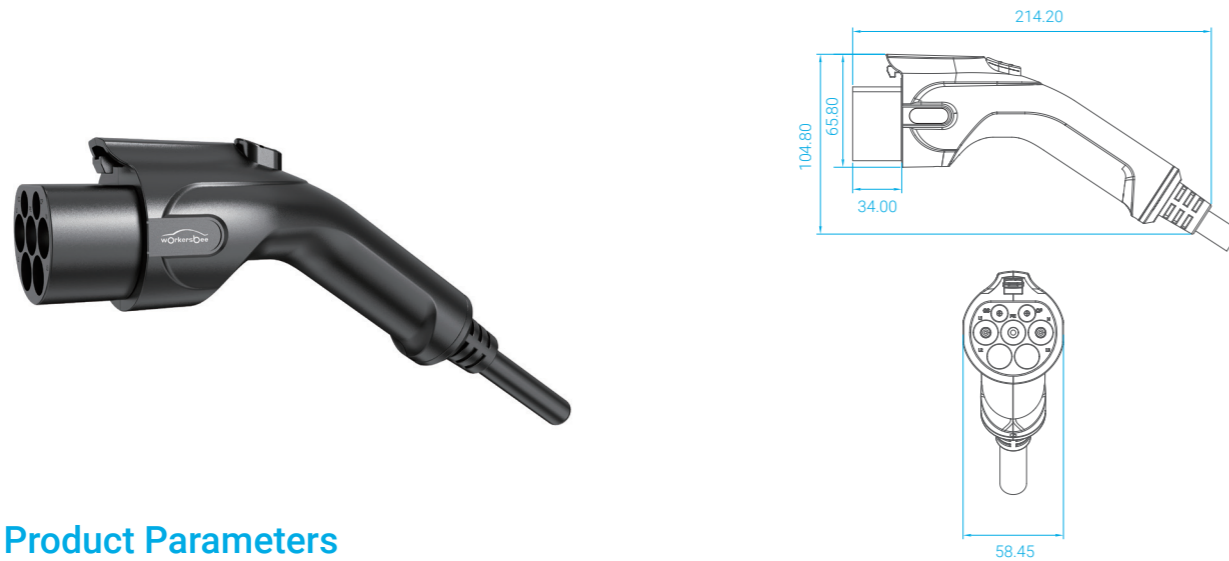
Specification	Parameter	Specification	Parameter
Rated Current	20A-80A	Mechanical Lifespan	>10000 Mating Cycles
Rated Voltage	750/1000V DC	Casing Protection Rating	IP54
Insulation Resistance	>500MΩ	Casing Material	Thermoplastic
Contact Resistance	0.5 mΩ Max	Terminal Material	Copper alloy, silver plated + thermoplastic top
Withstand Voltage	3500V AC	Operating Environment Temperature	-30°C- +50°C
Flammability Rating	UL94V-0	Terminal Temperature Rise	<50K
Insertion & Withdrawal Force	<140N	Warranty	24 Months
Certification	Compulsory Testing Report		

GB AC Charging Plug (AC Charging Plug 2.0)

◎ Terminal coating, modular design, and automated production make this charging plug extremely cost effective

The charging plug is designed to be a component with the crimp terminal with integrated coating process. Both cable and terminal are capable of meeting IP67 requirements. The product's modular design is integrated seamlessly with automated batch manufacturing technology, transforming the charging plug into a national standard product.

Note: Available with your logo on request.



Product Parameters

Model No.	Rated Current	Cable Specification	Cable Material	Cable Outer Diameter
WB-GC-AC2.0-32A	32A	3x6+1x0.75	TPE	15.5mm
WB-GC-AC2.0-16A	16A	3x2.5+1x0.75	TPE	13.5mm
* WB-GC-AC2.0-32A	32A	3x6+2x0.75	TPE	15.5mm
* WB-GC-AC2.0-16A	16A	3x2.5+2x0.75	TPE	13.5mm

Specification	Parameter		
Rated Current	16A-32A Single Phase	Mechanical Lifespan	>10000 Mating Cycles
Rated Voltage	250V AC	Temperature Rise	16A<30K 32A<40K
Operating Environment Temperature	-30°C- +50°C	Insertion & Withdrawal Force	<100N
Insulation Resistance	500MΩ <small>Compliant with GB/T11918.1-2014 under thermal conditions</small>	Base Structure Material	PC
Withstand Voltage	2500V&2mA Max	Plug Material	PA66+25%GF
Flammability Rating	UL94V-0	Terminal Material	Copper alloy, electroplated silver
Protection Rating	IP67	Wiring range	2.5 - 6 m²
Certification	Compulsory testing/CQC	Warranty	24 Months

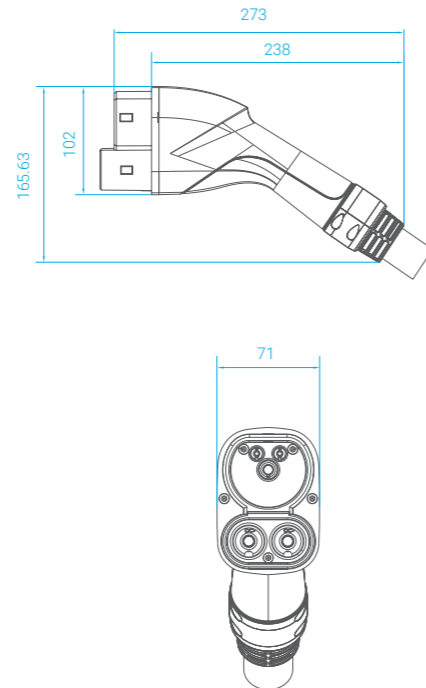
CCS 2 High-power Liquid Cooling (CCS 2 DC Charging Plug 2.0)

- Up to 700A (Boost Mode, depending on the ambient conditions)
- 5 minutes charging for 200+km range

Features and Advantages:

- Develop and produce in accordance with IEC62196-3 and IATF16949
- Real-time monitoring of DC contact temperature to prevent overheating
- Lightweight and ergonomically designed, the cable is easy to operate and user-friendly
- The liquid cooling cable promises lower power consumption, saving energy and protecting the environment
- Meets the requirements for use at an altitude of 4000m
- CE Certificate

Note: Available with your logo on request.



Product Parameters

Model No.	Max Current	Cable Specification	Cable Material	Cable Outer Diamete	Liquid Cooling
WB-IC-DC2.0	500A	4x25+1x35+4x(2x0.75) (P2)+4.5-6G	TPU	34.0mm	YES

Specification	Parameter		
Rated Current	500A (700A boost mode)	Base Structure Material	PC
Rated Voltage	1000V DC	Plug Material	PA66+25%GF
Insulation Resistance	500MΩ <small>Compliant with iec62196-1 under thermal conditions</small>	Terminal Material	Copper alloy, electroplated silver
Withstand Voltage	3500V AC	Coolant Medium	Dimethyl silicone oil
Flammability Rating	UL94V-0	Coolant Capacity	Approx. 2.5L(5m cable)
Plug Lifespan	>10000 Mating Cycles	Coolant Pressure	Approx. 3.5-8bar
Protection Rating	IP55	Coolant Flow Rate	1.5-3L/min
Temperature Rise	<50K	Heat Exchange Rate	170W@300A 255W@400A 374W@500A
Operating Environment Temperature	-30°C- +50°C	Liquid Cooling System Noise Output	<60dB
Insertion & Withdrawal Force	<100N	Warranty	24 Months
Liquid Cooling System Power Consumption	<160W		

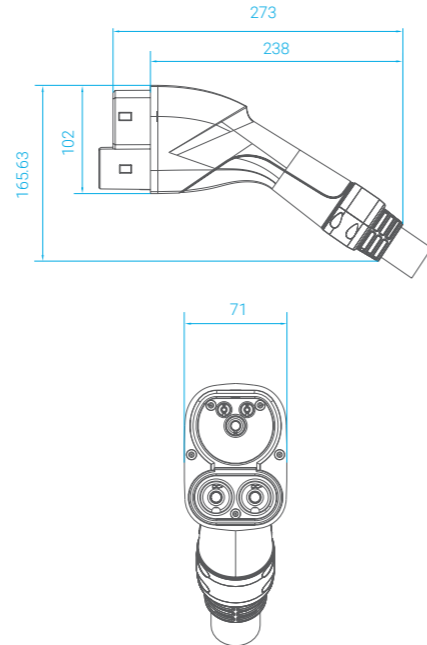
CCS 2 High-power Natural Cooling (CCS 2 DC Charging Plug 2.0)

- Up to 250A rated current output and natural heat dissipation
- Small and light with a comfortable grip for one-handed operation
- Ultrasonic welding, close to zero resistance, extremely cost-effective

Features and Advantages:

- Develop and produce in accordance with IEC62196-3 and IATF16949
- Real-time monitoring of DC contact temperature to prevent overheating
- Lightweight and ergonomically designed, the cable is easy to operate and user-friendly
- Meets the requirements for use at an altitude of 4000m
- CE certificate

Note: Available with your logo on request.



Product Parameters

Model No.	Max Current	Cable Specification	Cable Material	Cable Outer Diameter	Liquid Cooling
WB-IC-DC2.0	250A	2x70+35+2x0.75(P2)+2x(2x0.75)	TPU	34.0mm	NO
	200A				
	150A	2x50+1x25+6x0.75		30.0mm	
	125A	2x35+1x25+6x0.75		26.7mm	
	80A	2x16+1x16+6x0.75		20.5mm	
	60A				
	40A	2x10+1x6+3x(2x0.75)(P2)		22.0mm	
	32A	2x6+1x6+3x(2x0.75)(P2)		21.0mm	

Specification	Parameter	Specification	Parameter
Max Current	32A-250A	Base Structure Material	PC
Rated Voltage	1000V DC	Plug Material	PA66+25%GF
Insulation Resistance	500MΩ <small>Compliant with IEC62196-1 under thermal conditions</small>	Terminal Material	Copper alloy, electroplated silver
Withstand Voltage	3500V AC	Insertion & Withdrawal Force	<100N
Flammability Rating	UL94V-0	Temperature Rise	<50K
Plug Lifespan	>10000 Mating Cycles	Operating Environment Temperature	-30°C - +50°C
Protection Rating	IP55	Warranty	24 Months

CCS 2 DC (CCS 2 DC Charging Plug 1.1)

- Develop and produce in accordance with IEC62196-3 and IATF16949
- Real-time monitoring of DC contact temperature to prevent overheating
- Ultrasonic terminal welding with a contact resistance close to zero

Ultrasonic terminal welding technology. Temperature rise is lower making the charging process safer and prolonging the plug's lifespan. TUV/CE certification.

Note: Available with your logo on request.



Product Parameters

Model No.	Rated Current	Cable Specification	Cable Material	Cable Outer Diameter
WB-IC-DC1.1-375A	375A	4x60+35+2x(2x0.75)(P2)+2x(2x0.75)	TPU	40.0mm
WB-IC-DC1.1-350A	350A	4x60+35+2x(2x0.75)(P2)+2x(2x0.75)	TPU	40.0mm
WB-IC-DC1.1-300A	300A	4x50+35+2x(2x0.75)(P2)+2x(2x0.75)	TPU	37.0mm
WB-IC-DC1.1-250A	250A	2x70+35+2x(2x0.75)(P2)+2x(2x0.75)	TPU	34.0mm

Specification	Parameter	Specification	Parameter
Rated Current	250A-375A	Casing Material	Thermoplastic
Rated Voltage	1000V DC	Terminal Material	Copper alloy, silver plated
Insulation Resistance	> 500MΩ	Operating Environment Temperature	-35°C to +50°C
Contact Resistance	0.5 mΩ Max	Terminal Temperature Rise	< 50K
Withstand Voltage	3500V AC	Insertion & Withdrawal Force	< 100N
Flammability Rating	UL94V-0	Certification	TUV / CE
Mechanical Lifespan	> 10000 Mating Cycles	Warranty	24 Months
Casing Protection Rating	IP55		

CCS 2 DC (CCS 2 DC Charging Plug 1.0)

- Develop and produce in accordance with IEC62196-3 and IATF16949
- Real-time monitoring of DC contact temperature to prevent overheating
- Ultrasonic terminal welding with a contact resistance close to zero

Ultrasonic terminal welding technology. Temperature rise is lower making the charging process safer and prolonging the plug's lifespan. TUV/CE/CB/UKCA certification.

Note: Available with your logo on request.



Product Parameters

Model No.	Rated Current	Cable Specification	Cable Material	Cable Outer Diameter
WB-IC-DC1.0-250A	250A	2x70+1x35+P(5x0.75+1x0.75P) 2x70+1x35+3(2x0.75)	TPU	34.0mm
WB-IC-DC1.0-200A	200A	2x70+1x35+P(5x0.75+1x0.75P) 2x70+1x35+3(2x0.75)	TPU	34.0mm
WB-IC-DC1.0-150A	150A	2x50+1x25+P(5x0.75+1x0.75P) 2x50+1x25+3(2x0.75)	TPU	30.0mm
WB-IC-DC1.0-125A	125A	2x35+1x25+P(5x0.75+1x0.75P) 2x35+1x25+3(2x0.75)	TPU	26.7mm
WB-IC-DC1.0-80A	80A	2*16+1x16+2*0.75(P2)+2*(2*0.75)	TPU	20.5mm

Specification	Parameter	Specification	Parameter
Rated Current	80A-250A	Casing Material	Thermoplastic
Rated Voltage	1000V DC	Terminal Material	Copper alloy, silver plated
Insulation Resistance	> 500MΩ	Operating Environment Temperature	-30°C- +50°C
Contact Resistance	0.5 mΩ Max	Terminal Temperature Rise	< 50K
Withstand Voltage	3500V	Insertion & Withdrawal Force	< 100N
Flammability Rating	UL94V-0	Certification	TUV / CE / CB / UKCA
Mechanical Lifespan	> 10000 Mating Cycles	Warranty	24 Months
Casing Protection Rating	IP55		

Type 2 AC (Type 2 Vehicle Side AC Charging Plug 1.0)

- Classic design, durable, and a continental best seller

Ergonomic design and comfortable grip that perfectly fits the human hand.

Note: Available with your logo on request.



Product Parameters

Model No.	Rated Current	Cable Specification	Cable Material	Cable Outer Diameter
WB-IC-AC1.0-32AS	32A(Single Phase)	3x6+1x0.5	TPU	13.5mm
WB-IC-AC1.0-32AT	32A(Three phase)	5x6+1x0.5	TPU	16.8mm
WB-IC-AC1.0-16AS	16A(Single Phase)	3x2.5+1x0.5	TPU	11.7mm
WB-IC-AC1.0-16AT	16A(Three phase)	5x2.5+1x0.5	TPU	13.5mm

Specification	Parameter
Rated Current	16A/32A
Rated Voltage	250V/ 480V AC
Insulation Resistance	> 500MΩ
Contact Resistance	0.5 mΩ Max
Withstand Voltage	2000V
Flammability Rating	UL94V-0
Mechanical Lifespan	>10000 Mating Cycles
Casing Protection Rating	IP55
Casing Material	Thermoplastic
Terminal Material	Copper alloy, silver plated + thermoplastic top
Operating Environment Temperature	-30°C- +50°C
Certification	UKCA / CB/ TUV/ CE
Warranty	24 Months

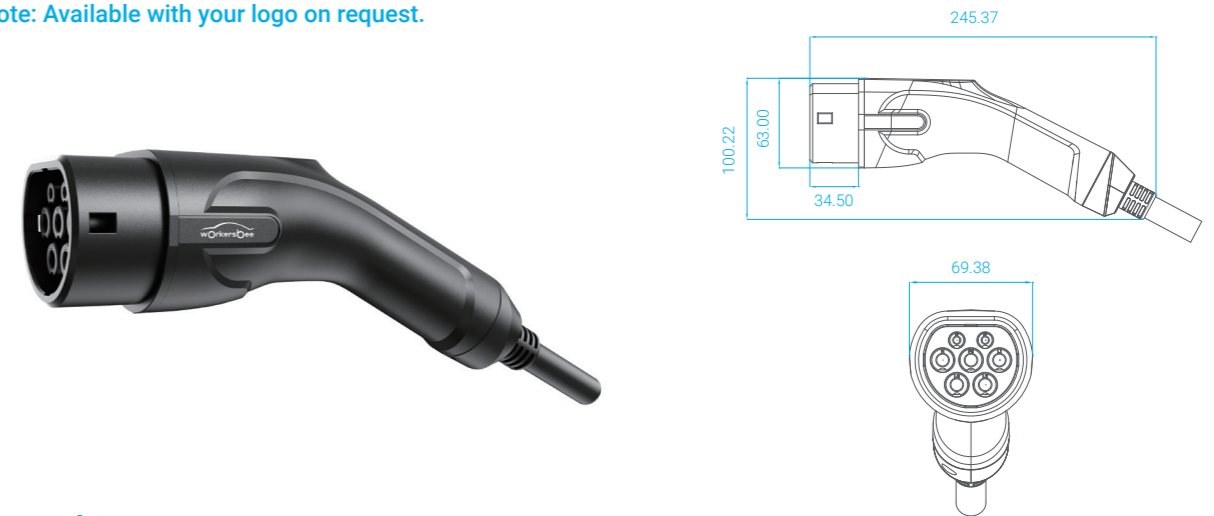
Type 2 AC (Type 2 Vehicle Side AC Charging Plug 2.0)

- Terminal coating, modular design, and automated production make this charging plug extremely cost effective.

Ergonomic design and comfortable grip that perfectly fits the human hand. Optional IP55 protection rating.

The matching plug cover provides effective protection. High-quality thermoplastic casing with copper alloy pins and up to 10,000 Mating Cycles. Enjoy 24 months warranty and replacement service.

Note: Available with your logo on request.



Product Parameters

Model No.	Rated Current	Cable Specification	Cable Material	Cable Outer Diameter
WB-IC-AC2.0-32AS	32A(Single Phase)	3x6+1x0.5	TPU	13.5mm
WB-IC-AC2.0-32AT	32A(Three phase)	5x6+1x0.5	TPU	16.8mm
WB-IC-AC2.0-16AS	16A(Single Phase)	3x2.5+1x0.5	TPU	11.7mm
WB-IC-AC2.0-16AT	16A(Three phase)	5x2.5+1x0.5	TPU	13.5mm

Specification	Parameter
Rated Current	16A/32A
Rated Voltage	250V/ 480V AC
Insulation Resistance	> 500MΩ
Contact Resistance	0.5 mΩ Max
Withstand Voltage	2000V AC
Flammability Rating	UL94V-0
Mechanical Lifespan	>10000 Mating Cycles
Casing Protection Rating	IP55
Casing Material	Thermoplastic
Terminal Material	Copper alloy, silver plated + thermoplastic top
Operating Environment Temperature	-30°C- +50°C
Certification	UKCA / CB/ TUV/ CE
Warranty	24 Months

Type 2 AC (Type 2 Vehicle Side AC Charging Plug 2.1)

- Terminal coating, modular design, and automated production make this charging plug extremely cost effective.

Ergonomic design and comfortable grip that perfectly fits the human hand. Optional IP55 protection rating. The matching plug cover provides effective protection. High-quality thermoplastic casing with copper alloy pins and up to 10,000 Mating Cycles. Enjoy 24 months warranty and replacement service.

Note: Available with your logo on request.



Product Parameters

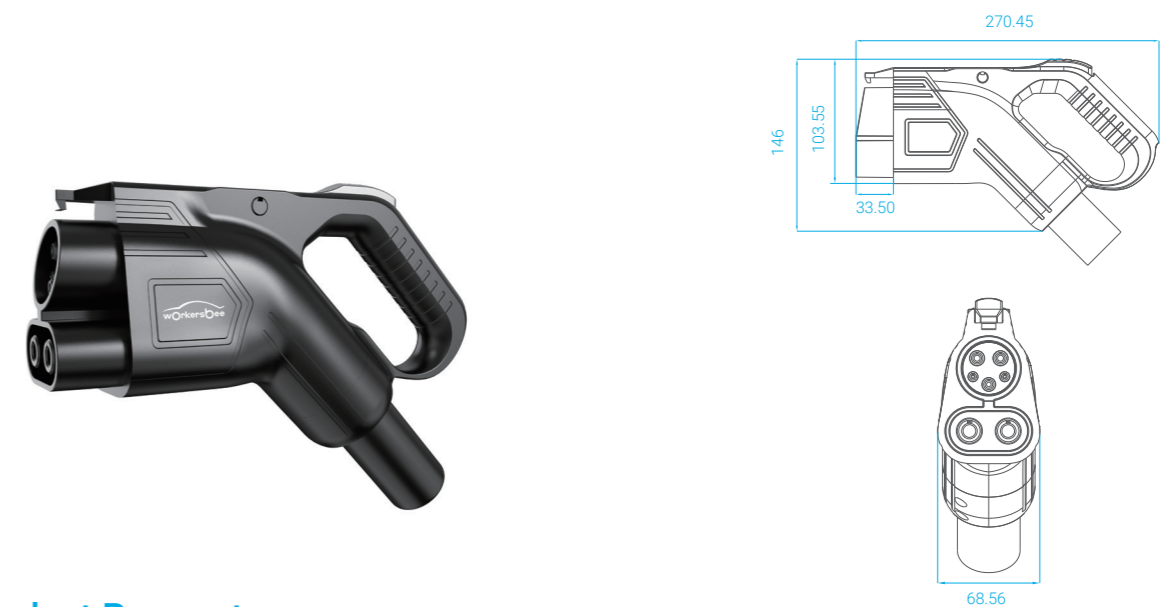
Model No.	Rated Current	Cable Specification	Cable Material	Cable Outer Diameter
WB-IC-AC2.1-32AS	32A(Single Phase)	3x6+1x0.5	TPU	13.5mm
WB-IC-AC2.1-32AT	32A(Three phase)	5x6+1x0.5	TPU	16.8mm
WB-IC-AC2.1-16AS	16A(Single Phase)	3x2.5+1x0.5	TPU	11.7mm
WB-IC-AC2.1-16AT	16A(Three phase)	5x2.5+1x0.5	TPU	13.5mm

Specification	Parameter	Specification	Parameter
Rated Current	16A/32A	Casing Protection Rating	IP55
Rated Voltage	250V/ 480V AC	Casing Material	Thermoplastic
Insulation Resistance	>500MΩ	Terminal Material	Copper alloy, silver plated + thermoplastic top
Contact Resistance	0.5 mΩ Max	Operating Environment Temperature	-30°C- +50°C
Withstand Voltage	2000V AC	Certification	UKCA / CB/ TUV/ CE
Flammability Rating	UL94V-0	Warranty	24 Months
Mechanical Lifespan	>10000 Mating Cycles		

CCS 1 Conventional DC (CCS 1 DC Charging Plug)

- Develop and produce in accordance with SAE J1772 and IATF16949
- Real-time monitoring of DC contact temperature to prevent overheating
- Ultrasonic terminal welding, contact resistance close to zero. A safe and reliable North American best seller

Note: Available with your logo on request.



Product Parameters

Model No.	Rated Current	Cable Specification	Cable Material	Cable Outer Diameter
WB-SC-DC1.0-200A	200A	2x2/0AWG+1x6AWG+P(5x18AWG+1x18AWGP)	TPE	40.0mm
WB-SC-DC1.0-150A	150A	2x1AWG+1x8AWG+P(5x18AWG+1x18AWGP)	TPE	37.0mm
WB-SC-DC1.0-125A	125A	2x2AWG+1x8AWG+P(5x18AWG+1x18AWGP)	TPE	32.0mm
WB-SC-DC1.0-80A	80A	2x5AWG+1x9AWG+P(5x18AWG+1x18AWGP)	TPE	28.5mm
WB-SC-DC1.0-60A	60A	2x5AWG+1x9AWG+P(5x18AWG+1x18AWGP)	TPE	28.5mm

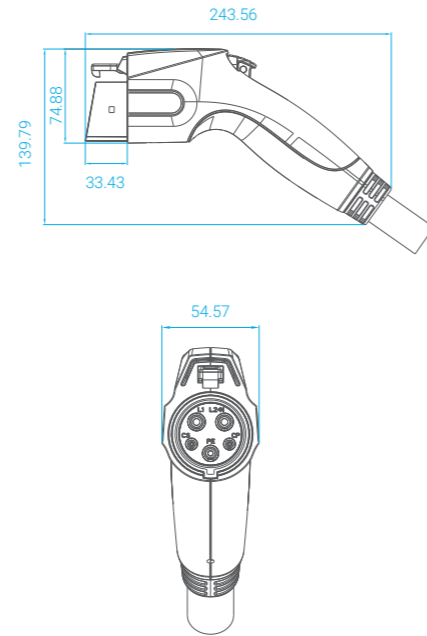
Specification	Parameter	Specification	Parameter
Rated Current	60A-200A	Casing Material	Thermoplastic
Rated Voltage	1000V DC	Terminal Material	Copper alloy,silver plated
Insulation Resistance	>500MΩ	Operating Environment Temperature	-40°C- +50°C
Contact Resistance	0.5 mΩ Max	Terminal Temperature Rise	<50K
Withstand Voltage	3500V AC	Insertion & Withdrawal Force	<100N
Flammability Rating	UL94V-0	Certification	UL / CE
Mechanical Lifespan	>10000 Mating Cycles	Warranty	24 Months
Casing Protection Rating	NEMA 3R		

Type 1 AC (Type 1 AC Charging Plug 2.0)

● UL Certified

The charging plug is designed to be a American Standard component with the crimp termina with integrated coating process. The product's modular design is integrated seamlessly with automated batch manufacturing technology, transforming the charging plug into an American Standard product.

Note: Available with your logo on request.



Product Parameters

Model No.	Rated Current	Cable Specification	Cable Material	Cable Outer Diamete
WB-SC-AC2.0-80A	80A	2x5AWG+1x6AWG+1x16AWG	TPE	25.0mm
WB-SC-AC2.0-70A	70A	2x6AWG+1x6AWG+1x16AWG	TPE	24.5mm
WB-SC-AC2.0-65A	65A	2x6AWG+1x6AWG+1x16AWG	TPE	24.5mm
WB-SC-AC2.0-60A	60A	2x7AWG+1x9AWG+1x16AWG	TPE	21.7mm
WB-SC-AC2.0-50A	50A	2x8AWG+1x10AWG+1x16AWG	TPE	20.5mm
WB-SC-AC2.0-40A	40A	2x9AWG+1x9AWG+1x18AWG	TPE	18.5mm
WB-SC-AC2.0-32A	32A	3x10AWG+1x18AWG	TPE	16.0mm
WB-SC-AC2.0-16A	16A	3x14AWG+1x18AWG	TPE	14.3mm

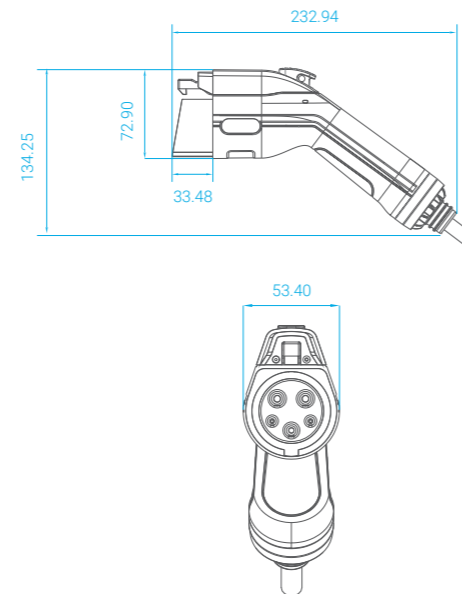
Specification	Parameter	Specification	Parameter
Rated Current	16A-80A	Casing Protection Rating	NEMA 3S
Rated Voltage	110V / 240V AC	Casing Material	Thermoplastic
Insulation Resistance	>500MΩ	Terminal Material	Copper alloy, silver plated + thermoplastic top
Contact Resistance	0.5 mΩ Max	Operating Environment Temperature	-30°C- +50°C
Withstand Voltage	2500V	Certification	UL
Flammability Rating	UL94V-0	Warranty	24 Months
Mechanical Lifespan	>10000 Mating Cycles		

Type 1 AC (Type 1 AC Charging Plug 1.0)

◎ UL/ TUV/ CE Certified

The plug has an ergonomic design with a grip that perfectly fits the human hand. IP55/NEMA3R protection ratings are optional and the matching plug cover provides effective protection. The product also features a high-quality thermoplastic casing with copper alloy pins.

Note: Available with your logo on request.



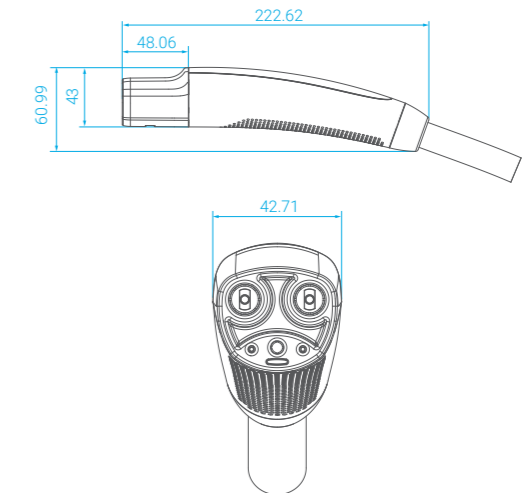
Product Parameters

Model No.	Rated Current	Cable Specification	Cable Material	Cable Outer Diameter
WB-SC-AC1.0-48AS	48A	2x8AWG+1x10AWG+1x16AWG	TPE	20.5mm
WB-SC-AC1.0-40AS	40A	3x9AWG+1x18AWG	TPE	18.5mm
WB-SC-AC1.0-32AS	32A	3x10AWG+1x18AWG	TPE	16.0mm
WB-SC-AC1.0-16AS	16A	3x14AWG+1x18AWG	TPE	14.3mm
WB-SC-AC1.0-32AS	32A	3x6+1x0.5	TPU	13.5mm
WB-SC-AC1.0-16AS	16A	3x2.5+1x0.5	TPU	11.7mm

Specification	Parameter	Specification	Parameter
Rated Current	16A/32A/40A/48A	Casing Protection Rating	IP55/NEMA 3R
Rated Voltage	110V / 240V AC	Casing Material	Thermoplastic
Insulation Resistance	>500MΩ	Terminal Material	Copper alloy, silver plated + thermoplastic top
Contact Resistance	0.5 mΩ Max	Operating Environment Temperature	-30°C- +50°C
Withstand Voltage	2000V AC	Certification	UL / CE / TUV
Flammability Rating	UL94V-0	Warranty	24 Months
Mechanical Lifespan	>10000 Mating Cycles		

TESLA NACS AC/DC (TESLA NACS AC/DC Charging Plug 1.0)

- ◎ Develop and produce in accordance with SAE J3400 and IATF16949
- ◎ Real-time monitoring of DC contact temperature to prevent overheating
- ◎ Ultrasonic terminal welding with a very low contact resistance close to zero



Product Parameters

Model No.	Rated Current	Cable Specification	Cable Material	Cable Outer Diameter
WB-TC-AC1.0-16A	16A	3*14AWG+4*22AWG	TPE	10.3mm
WB-TC-AC1.0-32A	32A	3*10AWG+4*22AWG		12.0mm
WB-TC-AC1.0-40A	40A	3X9AWG+7X22AWG		14.8mm
WB-TC-AC1.0-48A	48A	2*8AWG+1*10AWG+4*22AWG		14.5mm
WB-TC-AC1.0-50A	50A	2*8AWG+1*10AWG+4*22AWG		14.5mm
WB-TC-AC1.0-80A	80A	2*6AWG+1*8AWG+6*22AWG		19.5mm
WB-TC-DC1.0-40A	40A	3*9AWG+7*22AWG		14.8mm
WB-TC-DC1.0-48A	48A	2*8AWG+1*10AWG+4*22AWG		14.5mm
WB-TC-DC1.0-60A	60A	2X7AWG+1X9AWG+7X22AWG		16.2mm
WB-TC-DC1.0-80A	80A	2X6AWG+1X8AWG+6X22AWG		19.5mm

Specification	Parameter	Specification	Parameter
Rated Current	16A-80A	Casing Material	Thermoplastic
Rated Voltage	120V/240V AC 1000V DC	Terminal Material	Copper alloy, silver plated
Insulation Resistance	>500MΩ	Operating Environment Temperature	-25°C to +55°C
Contact Resistance	0.5 mΩ Max	Terminal Temperature Rise	< 50K
Withstand Voltage	2000V	Insertion & Withdrawal Force	<90N
Flammability Rating	UL94V-0	Certification	UL2251
Mechanical Lifespan	>10000 Mating Cycles	Warranty	24 Months
Casing Protection Rating	IP67		

TESLA NACS DC (TESLA NACS DC Charging Plug 1.0)

- Develop and produce in accordance with SAE J3400 and IATF16949
- Real-time monitoring of DC contact temperature to prevent overheating
- Up to 350A rated current with natural cooling, ultrasonic terminal welding with a very low contact resistance close to zero

Ultrasonic terminal welding technology. Temperature rise is lower making the charging process safer and prolonging the plug's life time. UL2251 Certificate.

Note: Available with your logo on request.



Product Parameters

Model No.	Rated Current	Cable Specification	Cable Material	Cable Outer Diameter
WB-TC-DC1.0-200A	200A	4x2AWG+1*12AWG+2*18AWG(S)+4*18AWG	TPE	30.5mm
WB-TC-DC1.0-250A	250A	4x1AWG+1*12AWG+2*18AWG(S)+4*18AWG	TPE	32.5mm
WB-TC-DC1.0-300A	300A	4x1/0AWG+1x1*12AWG+1*18AW-G(S)+5*18AWG	TPE	36.5mm
WB-TC-DC1.0-350A	350A	4x1/0AWG+1*12AWG+1*18AW-G(S)+5*18AWG	TPE	36.5mm

Specification	Parameter
Rated Current	200A-350A
Rated Voltage	1000V DC
Insulation Resistance	>500MΩ
Contact Resistance	0.5 mΩ Max
Withstand Voltage	3500V AC
Flammability Rating	UL94V-0
Mechanical Lifespan	>10000 Mating Cycles
Casing Protection Rating	IP67
Casing Material	Thermoplastic
Terminal Material	Copper alloy, silver plated
Operating Environment Temperature	-40°C to +50°C
Terminal Temperature Rise	< 50K
Insertion & Withdrawal Force	< 90N
Certification	UL2251
Warranty	24 Months



Portable EV Charger (Soapbox A)

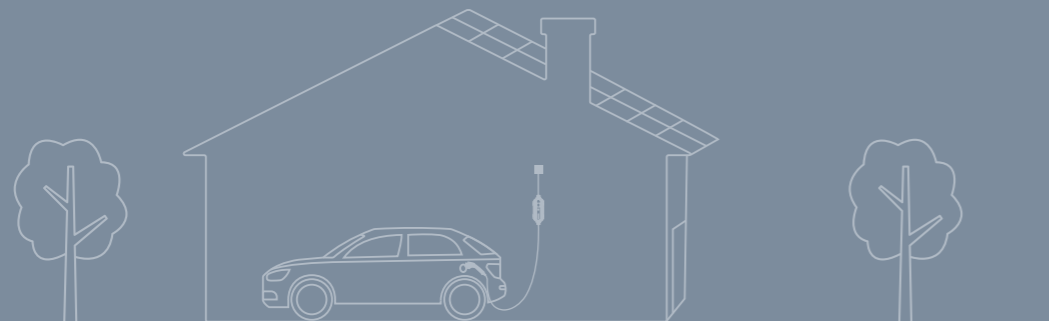
© This portable EV charger can have a GB/T and Type 2 plug for EV charging.

This charger's max current is 16A and its max power is 3.6kW. The applicable voltage is 110-250V. It is designed to guard against charging risks like over-current, over-voltage, under-voltage, current leakage and over-heat to ensure safe EV charging. IP66 waterproof, it's safe to charge outdoor. Made of high-strength materials, this charger is designed to serve many years' use.

Note: Available with your logo on request.



Residential Charging Solutions



Product Parameters

Model	Standard	Rated Current (Max)	Adjustable Current
WB-GP2-AC1.2-16AS-B1	GB/T	16A	6A-16A
WB-IP2-AC1.2-16AS-B1	Type2	16A	6A-16A

Product Specifications

Rated Current (Max)	16A	Plug Shell	Thermoplastics
Output Power	≤ 3.6kW	Cable Jacket	TPE/TPU
Working Voltage	220V/230V	Cable Length	5m (customizable)
Working Temperature	-30°C+50°C	Net Weight	2.0kg
Anti-UV	Yes	Warranty	24 months
Protection Level	IP66	Insurance	This product is covered by the Product Liability Insurance of China Pacific Property Insurance Co., Ltd.
Certification	TUV/CE/UKCA		
Pins	Copper Alloy		

Portable EV Charger (Soapbox B)

- Intelligent dual temperature control and Bluetooth App connectivity. Compact and classic style, a highly convenient and practical product

This series of products includes GB and Type 2 products. The maximum current is 16A, the maximum power is 3.6kW, and the applicable voltage range is 110-250V. The product is made of high-strength materials. To ensure the safest possible charging for your vehicle, our chargers have a series of safety protection measures. These protection measures include overcurrent detection, overvoltage detection, undervoltage detection, leakage detection, overheating detection. The product is IP66 waterproof compliant.

Note: Available with your logo on request.



Product Parameters

Model	Standard	Rated Current (Max)	Adjustable Current
WB-GP2-AC1.2-16AS-B2	GB/T	16A	6A-16A
WB-IP2-AC1.2-16AS-B2	Type2	16A	6A-16A

Product Specifications

Rated Current (Max)	16A	Plug Shell	Thermoplastics
Output Power	≤ 3.6kW	Cable Jacket	TPE/TPU
Working Voltage	220V/230V	Cable Length	5m (customizable)
Working Temperature	-30°C+50°C	Net Weight	2.0kg
Anti-UV	Yes	Warranty	24 months
Protection Level	IP66	Insurance	This product is covered by the Product Liability Insurance of China Pacific Property Insurance Co., Ltd.
Certification	TUV/CE/UKCA		
Pins	Copper Alloy		

Portable EV Charger (Soapbox C)

- Application scenarios: villas, underground garages, ground parking spaces and any other places where there is a home socket inlet.

It is designed to guard against charging risks like over-current, over-voltage, under-voltage, current leakage and over-heat to ensure safe ev charging.

This product also supports the following features: Bluetooth and mini program connection, appointable charging, OTA upgrade, double temperature control protection from power plug and controller, grounding abnormality reminder, IP66 protection, it's safe to charge outdoor. Made of high-strength materials, this charger is designed to serve many years' use.

Note: Available with your logo on request.



Product Parameters

Model	Standard	Rated Current (Max)	Adjustable Current
WB-GP2-AC1.2-16AS-B3	GB/T	16A	6A-16A
WB-IP2-AC1.2-16AS-B3	Type2	16A	6A-16A

Product Specifications

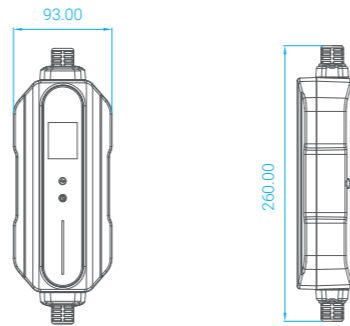
Rated Current (Max)	16A	Plug Shell	Thermoplastics
Output Power	≤ 3.6kW	Cable Jacket	TPE/TPU
Working Voltage	230V	Cable Length	5m (customizable)
Working Temperature	-30°C+50°C	Net Weight	2.0kg
Anti-UV	Yes	Warranty	24 months
Protection Level	IP66	Insurance	This product is covered by the Product Liability Insurance of China Pacific Property Insurance Co., Ltd.
Certification	TUV/CE/UKCA		
Pins	Copper Alloy		

Portable EV Charger (Flex Charger)

◎ Intelligent temperature control, adjustable current, safe and convenient

There are three types of products in this series: GB, Type 2 and Type 1. To ensure the safest possible charging for your vehicle, the product has a series of safety protection measures. These safety measures include overcurrent detection, overvoltage detection, undervoltage detection, leakage detection, and overheating detection. The product is also waterproof. Leakage protection is available in the following two specifications: 30mAAC and 30mAAC+6mADC

Note: Available with your logo on request.



Product Parameters

Model No.	Standard	Rated Current (Max)	Adjustable Current
WB-GP2-AC2.1-32AS-A	GB/T	32A	10A-16A-20A-24A-32A
WB-GP2-AC2.1-16AS-A	GB/T	16A	6A-8A-10A-13A-16A
WB-SP2-AC2.1-32AS-A	Type 1	32A	10A-16A-20A-24A-32A
WB-SP2-AC2.1-16AS-A	Type 1	16A	6A-8A-10A-13A-16A
WB-IP2-AC2.1-32AS-B	Type 2	32A	10A-16A-20A-24A-32A
WB-IP2-AC2.1-16AS-B	Type 2	16A	6A-8A-10A-13A-16A

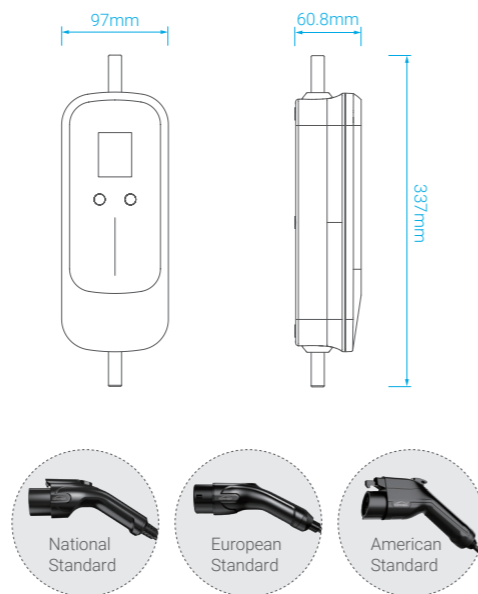
Specification	Parameter
Rated Current (Max)	16A / 32A
Output Power	3.6kW / 7.4kW
Operating Voltage	GB/T 220V Type 1 120/240V Type 2 230V
Operating Temperature	-25°C+50°C
Anti-collision	Yes
UV Resistant	Yes
Protection Rating	IP67
Certification	CE/CB/CQC/FCC/UKCA
Terminal Material	Copper alloy
Casing Material	Thermoplastic Material
Cable Material	TPE/TPU
Cable Length	5m(Customisable)
Net Weight	2.0~3.0kg
Optional Plug Types	Industrial plugs、UK、NEMA14-50、NEMA 6-30P、Schuko、CEE、National Standard three-pronged plug, etc
Warranty	24 Months

Portable EV Charger (Flex Charger 2)

© Intelligent dual temperature control, 2.0 inch LCD screen, Bluetooth app connectivity, OTA remote upgrade, 10388C PU Spraying paint, touch key-press, Tesla one click open cover and lighting (only for type2 selective), fashionable and cool appearance.

This series of products include: GB/T, Type1 and Type 2. To ensure the safest possible charging for your vehicle, the product has a series of safety protection measures. These safety measures include overcurrent detection, overvoltage detection, undervoltage detection, leakage detection, and overheating detection. The product is also waterproof. Leakage protection is available in the following two specifications: 30mAAC and 30mAAC+6mADC.

Note: Available with your logo on request.



Product Parameters

Model No.	Standard	Rated Current (Max)	Adjustable Current	Cable Outer Diameter
WB-IP2-AC2.4-32AS-B	Type2	32A	10A-32A	13.5mm
WB-IP2-AC2.4-16AS-B	Type2	16A	6A-16A	11.7mm
WB-GP2-AC2.4-32AS-A	GB/T	32A	10A-32A	15.5mm
WB-GP2-AC2.4-16AS-A	GB/T	16A	6A-16A	13.5mm
WB-SP2-AC2.4-32AS-A	Type1	32A	10A-32A	16mm
WB-SP2-AC2.4-16AS-A	Type1	16A	6A-16A	14.3mm
WB-SP2-AC2.4-40AS-A	Type1	40A	16A-40A	18.5mm

Product Specifications

Rated Current (Max)	16A/32A/40A	Terminal Material	Copper alloy
Output Power	3.6kW/7.4kW	Casing Material	Thermoplastic Material
Operating Voltage	GB/T: 220V; Type 2: 230V	Cable Material	TPE/TPU
	Type1: 120V/240V;	Cable Length	5m (Customizable)
Operating Temperature	-25°C+55°C	Net Weight	2.5~3.5kg
Anti-collision	Yes	Optional Plug Types	Industrial plugs, UK, Schuko, CEE, NEMA 14-50P, NEMA 6-30P, National standard three pronged plug etc.
UV Resistant	Yes	Warranty	24 Months
Protection Rating	IP67		
Certification	CE/CB/CQC/FCC/UKCA		

Portable EV Charger (ePort A)

© Intelligent dual temperature control, 2.0 inch LCD screen, Bluetooth app connectivity, OTA remote upgrade, touch key-press, optional technical grey and black housing, fashionable appearance.

There is only one type of product in this series: Type 2. To ensure the safest possible charging for your vehicle, the product has a series of safety protection measures. These safety measures include overcurrent detection, overvoltage detection, undervoltage detection, leakage detection, and overheating detection. The product is also waterproof. Leakage protection is available in the following two specifications: 30mA AC and 30mA AC+6mA DC.

Note: Available with your logo on request.



Product Parameters

Model No.	Standard	Rated Current (Max)	Adjustable Current
WB-IP2-AC2.3-32AS-B	Type2	32A	10A-32A
WB-IP2-AC2.3-16AS-B	Type2	16A	6A-16A

Product Specifications			
Rated Current (Max)	16A/32A	Terminal Material	Copper alloy
Output Power	3.6kW/7.4kW	Casing Material	Thermoplastic Material
Operating Voltage	230V	Cable Material	TPE/TPU
Operating Temperature	-25°C+55°C	Cable Length	5m (Customizable)
Anti-collision	Yes	Net Weight	2.0~3kg
UV Resistant	Yes	Optional Plug Types	Industrial plugs, UK, Schuko, CEE
Protection Rating	IP67		Technical grey/black
Certification	CE/TUV/UKCA/CB	Warranty	24 Months

Portable EV Charger (ePort B)

© Intelligent dual temperature control, 2.0 inch LCD screen, Bluetooth app connectivity, OTA remote upgrade, touch key-press, touch key-press, optional technical grey and black housing, fashionable and cool appearance.

There is only one type of product in this series: Type 2. To ensure the safest possible charging for your vehicle, the product has a series of safety protection measures. These safety measures include overcurrent detection, overvoltage detection, undervoltage detection, leakage detection, and overheating detection. The product is also waterproof. Leakage protection is available in the following two specifications: 30mA AC and 30mA AC+6mA DC.

Note: Available with your logo on request.



Product Parameters

Model No.	Standard	Rated Current (Max)	Adjustable Current
WB-IP2-AC2.2-32AS-B	Type2	32A	10A-32A
WB-IP2-AC2.2-16AS-B	Type2	16A	6A-16A

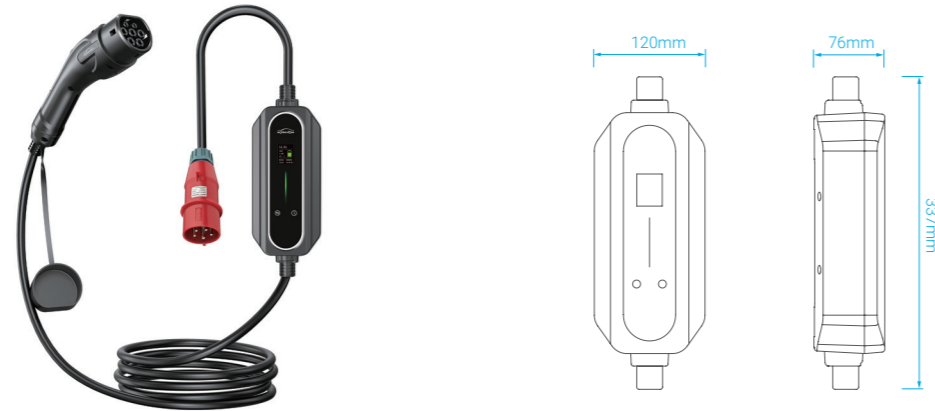
Product Specifications			
Rated Current (Max)	16A/32A	Terminal Material	Copper alloy
Output Power	3.6kW/7.4kW	Casing Material	Thermoplastic Material
Operating Voltage	230V	Cable Material	TPE/TPU
Operating Temperature	-25°C+55°C	Cable Length	5m (Customizable)
Anti-collision	Yes	Net Weight	2kg~3kg
UV Resistant	Yes	Optional Plug Types	Industrial plugs, UK, Schuko, CEE
Protection Rating	IP67		Technical grey/black
Certification	CE/TUV/UKCA/CB	Warranty	24 Months

Portable EV Charger (ePort C 3P)

- © Intelligent temperature control, 2.0 inch LCD screen, Bluetooth app connectivity, OTA remote upgrade, touch key-press, technical black housing, fashionable appearance.

There is only one type of product in this series: Type 2. To ensure the safest possible charging for your vehicle, the product has a series of safety protection measures. These safety measures include overcurrent detection, overvoltage detection, undervoltage detection, leakage detection, and overheating detection. The product is also waterproof. Leakage protection is available in the following two specifications: 30mA AC+6mA DC.

Note: Available with your logo on request.



Product Parameters

Model No.	Standard	Rated Current (Max)	Adjustable Current
WB-IP2-AC3.0-16AT-B	Type2	16A	6A-16A
WB-IP2-AC3.0-32AT-B	Type2	32A	10A-32A
WB-IP2-AC3.0-16AT-B	Type2	16A	Fixed Current
WB-IP2-AC3.0-32AT-B	Type2	32A	Fixed Current

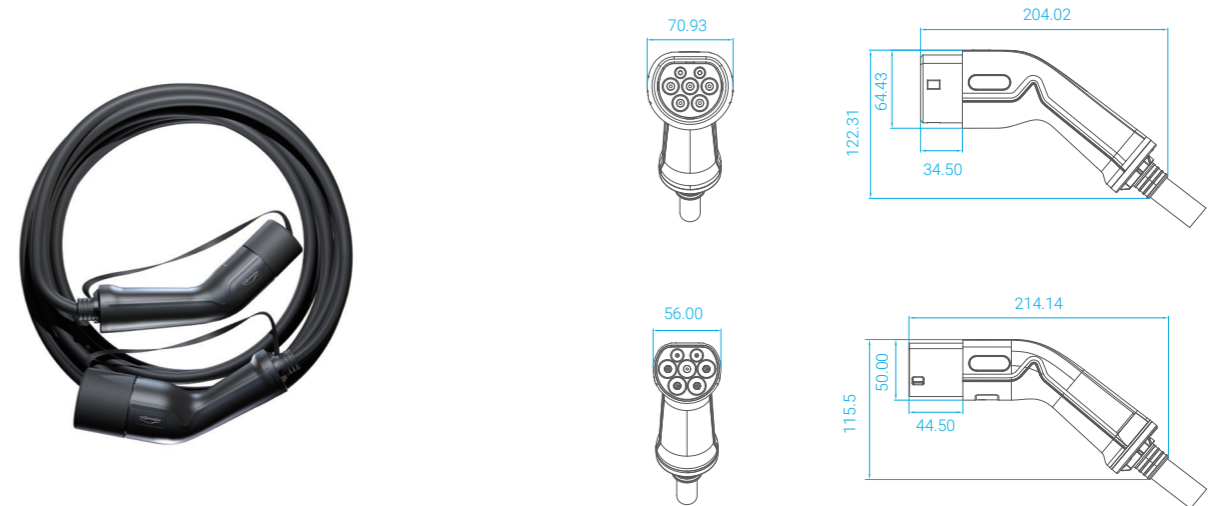
Product Specifications			
Rated Current (Max)	16A/32A	Terminal Material	Copper alloy
Output Power	11kW/22kW	Casing Material	Thermoplastic Material
Operating Voltage	400V	Cable Material	TPU
Operating Temperature	-25°C+55°C	Cable Length	5m (Customizable)
Anti-collision	Yes	Net Weight	3.5kg~4.2kg
UV Resistant	Yes	Optional Plug Types	CEE
Protection Rating	IP67		Black
Certification	CE	Warranty	24 Months

Type 2 EV Charging Cable Gen. 1.0

- © Classic style, always in stock and always in demand

Silver-plated pins on the surface of copper alloy with a thermoplastic top. The charger is easy to insert and withdraw, featuring an ergonomic design with a comfortable grip. Supports vehicle electronic lock functions. The European standard version of this product has single-phase and three-phase options.

Note: Available with your logo on request.



Product Parameters

Model No.	Rated Current	Cable Specification	Cable Outer Diameter
WB-IP3-AC1.0-32AS	32A(Single Phase)	3x6+1x0.5	13.5mm
WB-IP3-AC1.0-32AT	32A(Three phase)	5x6+1x0.5	16.8mm
WB-IP3-AC1.0-16AS	16A(Single Phase)	3x2.5+1x0.5	11.7mm
WB-IP3-AC1.0-16AT	16A(Three phase)	5x2.5+1x0.5	13.5mm

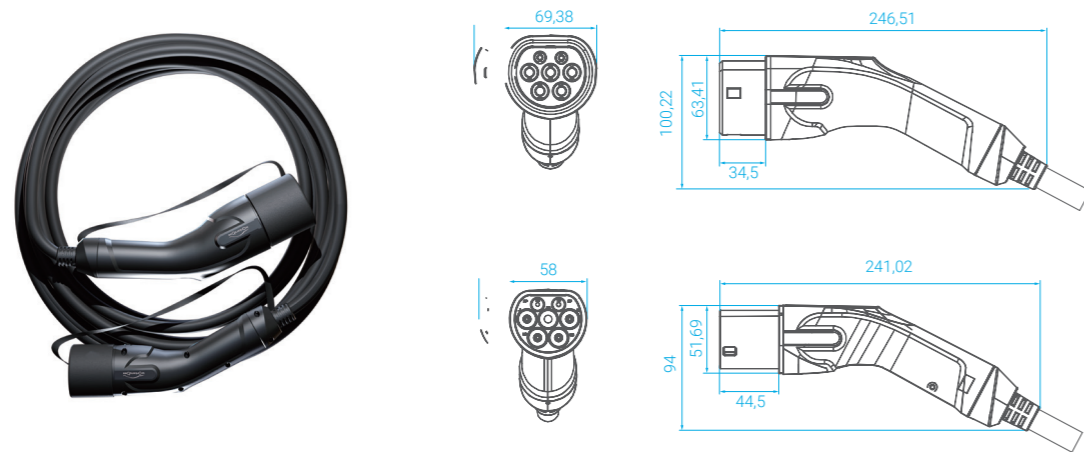
Specification	Parameter
Rated Current	16A/32A
Operating Voltage	250V / 480V
Operating Temperature	-30°C+50°C
Anti-collision	Yes
UV Resistant	Yes
Casing Protection Rating	IP55
Certification	TUV / CE / UKCA / CB
Terminal Material	Copper alloy
Casing Material	Thermoplastic Material
Cable Material	TPE/TPU
Cable Length	5m(Customisable)
Cable Colour	Black, Orange, Green
Warranty	24 Months

Type 2 EV Charging Cable Gen. 2.1

- Terminal coating, modular design, automated production, extremely cost effective

Silver-plated pins on the surface of copper alloy with a thermoplastic top. The charger is easy to insert and withdraw, featuring an ergonomic design with a comfortable grip. This product supports vehicle electronic lock functions. The European standard version of this product has single-phase and three-phase options.

Note: Available with your logo on request.



Product Parameters

Model No.	Rated Current	Cable Specification	Cable Outer Diameter
WB-IP3-AC2.1-32AS	32A(Single Phase)	3x6+1x0.5	13.5mm
WB-IP3-AC2.1-32AT	32A(Three phase)	5x6+1x0.5	16.8mm
WB-IP3-AC2.1-16AS	16A(Single Phase)	3x2.5+1x0.5	11.7mm
WB-IP3-AC2.1-16AT	16A(Three phase)	5x2.5+1x0.5	13.5mm

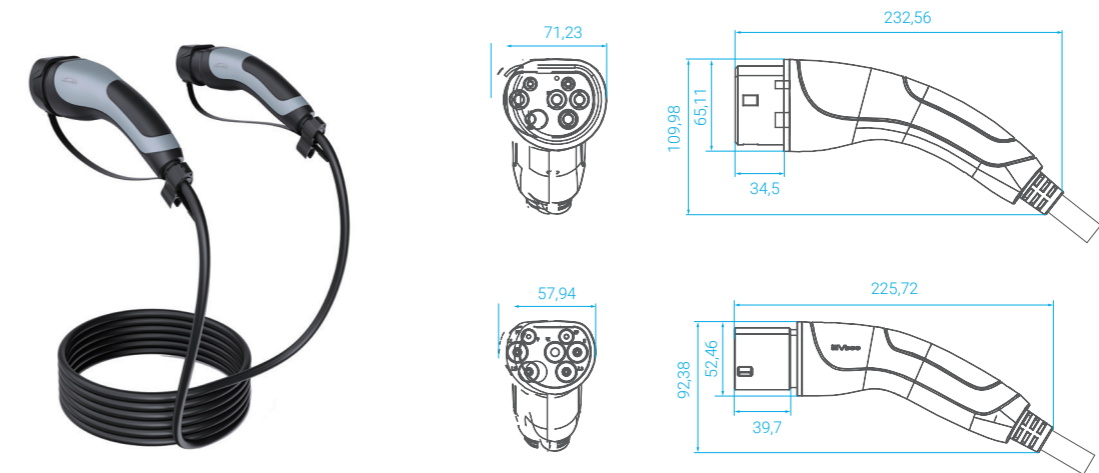
Specification	Parameter	Specification	Parameter
Rated Current	16A/32A	Terminal Material	Copper alloy
Operating Voltage	250V / 480V	Casing Material	Thermoplastic Material
Operating Temperature	-30°C+50°C	Cable Material	TPU
Anti-collision	Yes	Cable Length	5m(Customisable)
UV Resistant	Yes	Cable Colour	Black, Orange, Green
Casing Protection Rating	IP55	Warranty	24 Months
Certification	TUV / CE / UKCA / CB		

Type 2 EV Charging Cable Gen. 2.3

- Terminal coating, modular design, automated production, extremely cost effective

Silver-plated pins on the surface of copper alloy with a thermoplastic top. The charger is easy to insert and withdraw, featuring an ergonomic design with a comfortable grip. This product supports vehicle electronic lock functions. The European standard version of this product has single-phase and three-phase options.

Note: Available with your logo on request.



Product Parameters

Model No.	Rated Current	Cable Specification	Cable Outer Diameter
WB-IP3-AC2.3-32AS	32A(Single Phase)	3x6+1x0.5	13.5mm
WB-IP3-AC2.3-32AT	32A(Three phase)	5x6+1x0.5	16.8mm
WB-IP3-AC2.3-16AS	16A(Single Phase)	3x2.5+1x0.5	11.7mm
WB-IP3-AC2.3-16AT	16A(Three phase)	5x2.5+1x0.5	13.5mm

Specification	Parameter	Specification	Parameter
Rated Current	16A/32A	Terminal Material	Copper alloy
Operating Voltage	250V / 480V	Casing Material	Thermoplastic Material
Operating Temperature	-30°C+50°C	Cable Material	TPU
Anti-collision	Yes	Cable Length	5m(Customisable)
UV Resistant	Yes	Cable Colour	Black, Orange, Green
Casing Protection Rating	IP55	Warranty	24 Months
Certification	TUV / CE / UKCA / CB		

Other EV Charging Cable

◎ Type 2 charger to GB/Type 1 vehicles

Silver-plated pins on the surface of copper alloy with a thermoplastic top. The charger is easy to insert and withdraw, featuring an ergonomic design with a comfortable grip. This product supports vehicle electronic lock functions.

Note: Available with your logo on request.



Type 2 to GB/T

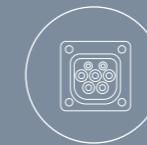


Type 2 to Type 1

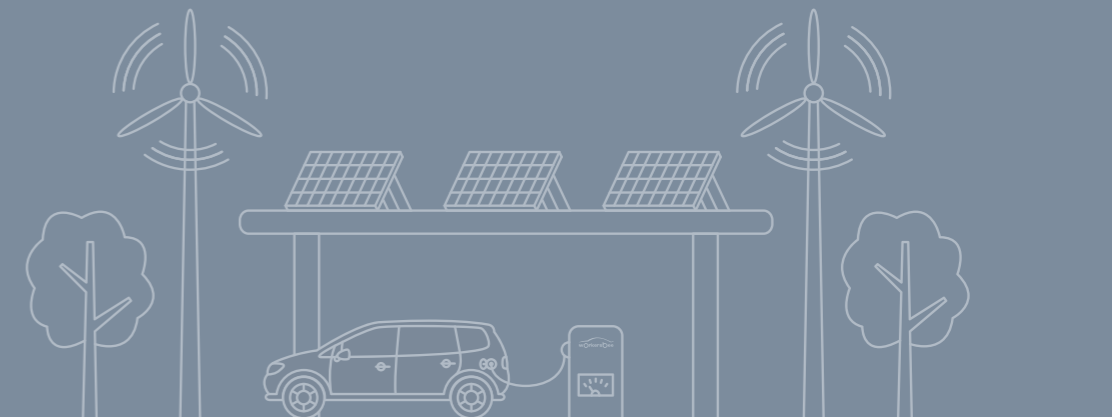
Product Parameters

Model No.	Rated Current	Cable Specification	Cable Outer Diameter
WB-IG3-AC1.0-32AS	32A	3x6+1x0.5	13.5mm
WB-IG3-AC1.0-16AS	16A	3x2.5+1x0.5	11.7mm
WB-IS3-AC1.0-32AS	32A	3x6+1x0.5	13.5mm
WB-IS3-AC1.0-16AS	16A	3x2.5+1x0.5	11.7mm

Specification	Parameter
Rated Current	16A/32A
Operating Voltage	250V / 480V
Operating Temperature	-30°C+50°C
Anti-collision	Yes
UV Resistant	Yes
Casing Protection Rating	IP55
Certification	TUV / CE / CB
Terminal Material	Copper alloy
Casing Material	Thermoplastic Material
Cable Material	TPE/TPU
Cable Length	5m(Customisable)
Cable Colour	Black, Orange, Green
Warranty	24 Months

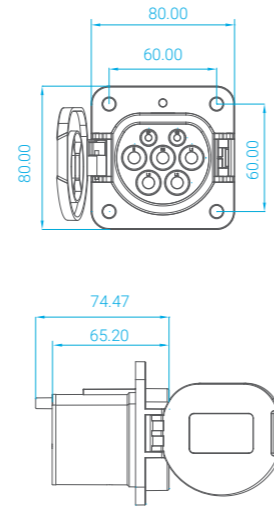


Accessories



GB AC Inlet Socket

Product description: Electric vehicle charging socket



Product Parameters

Model No.	Rated Current	Cable Specification
WB-GI-AC1.0-32AS	32A(Single Phase)	3x6+2x0.75/Single Core Cable
WB-GI-AC1.0-32AT	32A(Three phase)	5x6+2x0.75/Single Core Cable
WB-GI-AC1.0-16AS	16A(Single Phase)	3x2.5+2x0.75/Single Core Cable
WB-GI-AC1.0-16AT	16A(Three phase)	5x2.5+2x0.75/Single Core Cable

Specification	Parameter
Rated Current	16A/32A
Rated Voltage	250V / 480V AC
Insulation Resistance	>500MΩ
Contact Resistance	0.5 mΩ Max
Withstand Voltage	2000V
Protection Rating	IP55
Flammability Rating	UL94V-0
Mechanical Lifespan	>10000
Casing Material	Thermoplastic
Terminal Material	Copper alloy,silver plated
Operating Environment Temperature	-30°C- +50°C
Certification	Compulsory Testing Report
Warranty	24 Months

GB DC Inlet Socket

◎ Compatible with all mainstream charging plugs and charger

Product description: Electric vehicle charging socket



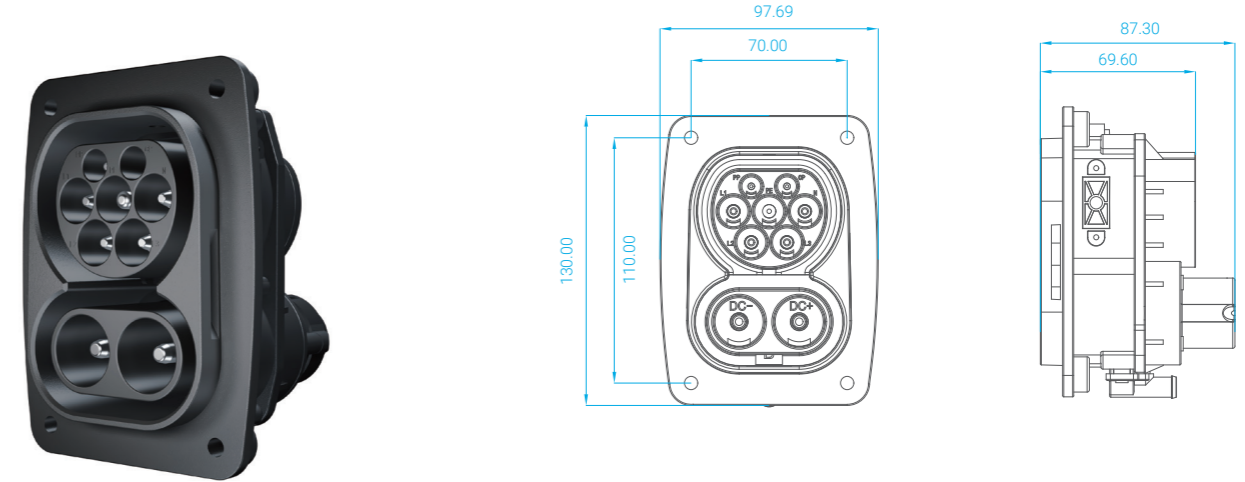
Product Parameters

Model No.	Rated Current	Cable Specification
WB-GI-DC1.0-250A	250A	2x80+1x25+2x4+7x1.0/Single Core Cable
WB-GI-DC1.0-200A	200A	2x70+1x25+2x4+7x1.0/Single Core Cable
WB-GI-DC1.0-150A	150A	2x50+1x25+2x4+7x1.0/Single Core Cable
WB-GI-DC1.0-125A	125A	2x35+1x25+2x4+7x1.0/Single Core Cable
WB-GI-DC1.0-80A	80A	2x16+1x25+2x4+7x1.0/Single Core Cable

Specification	Parameter	Specification	Parameter
Rated Current	80A/125A/150A/200A/250A	Mechanical Lifespan	>10000
Rated Voltage	750V/1000V DC	Casing Material	Thermoplastic
Insulation Resistance	>500MΩ	Terminal Material	Copper alloy,silver plated
Contact Resistance	0.5 mΩ Max	Operating Environment Temperature	-30°C- +50°C
Withstand Voltage	3000V	Certification	Compulsory Testing Report
Protection Rating	IP55	Warranty	24 Months
Flammability Rating	UL94V-0		

CCS 2 DC Inlet Socket

Product description: Electric vehicle charging socket



Product Parameters

Model No.	Rated Current	Cable Specification
WB-II-DC1.0-200A	200A	2x70+1x25+4x6+6x0.75/Single Core Cable
WB-II-DC1.0-150A	150A	2x50+1x25+4x6+6x0.75/Single Core Cable
WB-II-DC1.0-125A	125A	2x35+1x25+4x6+6x0.75/Single Core Cable
WB-II-DC1.0-080A	80A	2x16+1x25+4x6+6x0.75/Single Core Cable

Specification	Parameter	Specification	Parameter
Rated Current	AC 32A DC 80A/125A/150A/200A	Mechanical Lifespan	>10000
Rated Voltage	250V / 415V AC 1000V DC	Protection Rating	IP54
Insulation Resistance	>500MΩ	Casing Material	Thermoplastic
Contact Resistance	0.5 mΩ Max	Terminal Material	Copper alloy,silver plated
Withstand Voltage	3000V	Operating Environment Temperature	-30°C- +50°C
Flammability Rating	UL94V-0	Certification	CE
		Warranty	24 Months

Type 2 AC Outlet Socket 1.0

Product description: Charger socket



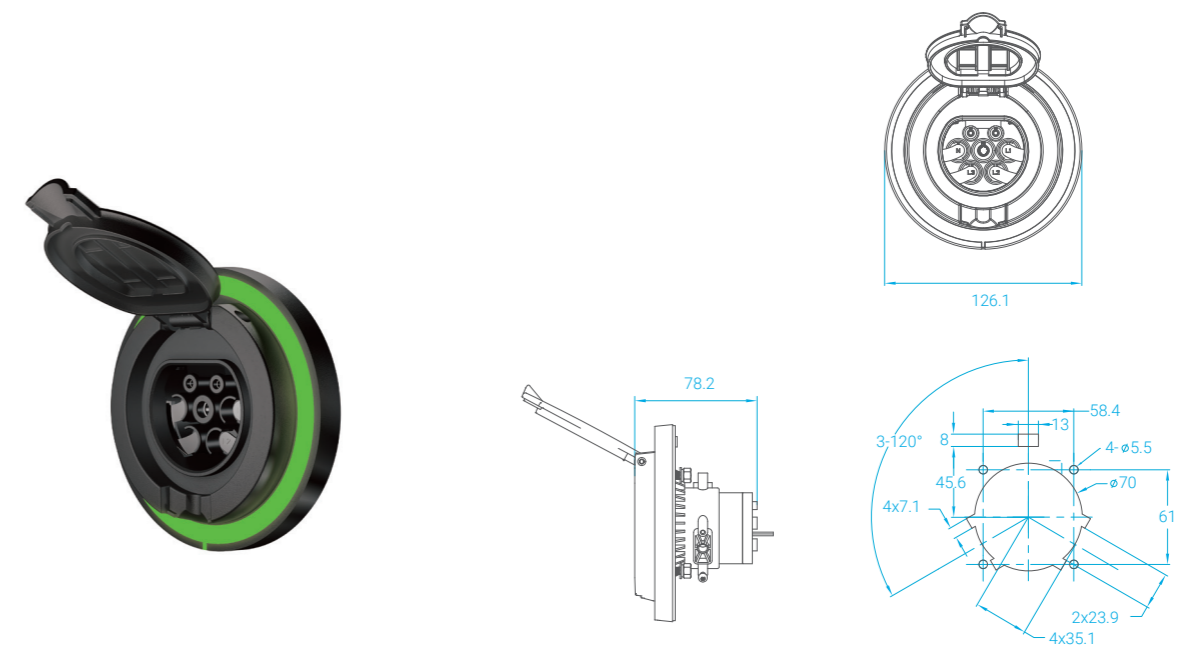
Product Parameters

Model No.	Rated Current	Cable Specification
WB-IS-AC1.0-32AS	32A(Single Phase)	3x6+2x0.75/Single Core Cable
WB-IS-AC1.0-32AT	32A(Three phase)	5x6+2x0.75/Single Core Cable
WB-IS-AC1.0-16AS	16A(Single Phase)	3x2.5+2x0.75/Single Core Cable
WB-IS-AC1.0-16AT	16A(Three phase)	5x2.5+2x0.75/Single Core Cable

Specification	Parameter	Specification	Parameter
Rated Current	16A/32A	Casing Material	Thermoplastic
Rated Voltage	250V / 415V AC	Terminal Material	Copper alloy,silver plated
Insulation Resistance	>500MΩ	Operating Environment Temperature	-30°C- +50°C
Contact Resistance	0.5 mΩ Max	Certification	TUV / CE / CB / UKCA
Withstand Voltage	2000V	Mechanical Lifespan	>10000
Protection Rating	IP54	Warranty	24 Months
Flammability Rating	UL94V-0		

Type 2 AC Outlet Socket 2.0

Product features: Integrated LED lamp ring, anti-tentacles function, safe and reliable



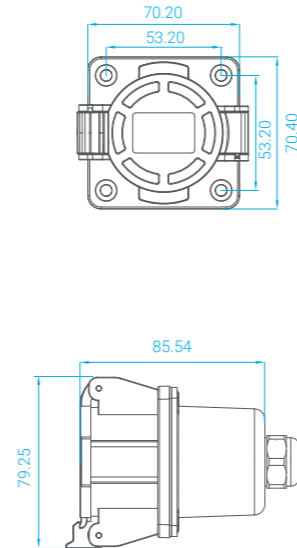
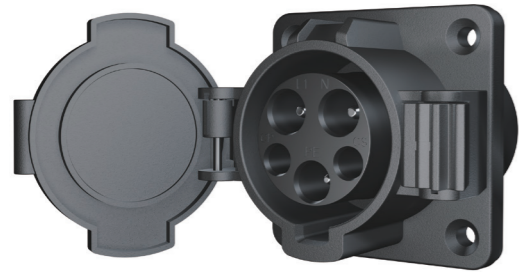
Product Parameters

Model No.	Rated Current	Cable Specification	Cable Material
WB-IS-AC2.0-32AS	32A(Single Phase)	3x6+2x0.75	XTPO/ELPO
WB-IS-AC2.0-32AT	32A(Three phase)	5x6+2x0.75	XTPO/ELPO
WB-IS-AC2.0-16AS	16A(Single Phase)	3x2.5+2x0.75	XTPO/ELPO
WB-IS-AC2.0-16AT	16A(Three phase)	5x2.5+2x0.75	XTPO/ELPO

Specification	Parameter	Specification	Parameter
Rated Current	16A/32A	Casing Material	Thermoplastic
Rated Voltage	250V / 415V AC	Terminal Material	Copper alloy,silver plated
Insulation Resistance	>500MΩ	Operating Environment Temperature	-30°C- +50°C
Contact Resistance	0.5 mΩ Max	Certification	TUV / CE / CB
Withstand Voltage	2000V	Mechanical Lifespan	>10000
Protection Rating	IP54	Warranty	24 Months
Flammability Rating	UL94V-0		

Type 1 AC Inlet Socket

Product description: Electric vehicle charging socket



Product Parameters

Model No.	Rated Current	Cable Specification
WB-SI-AC1.0-32AS	32A(Single Phase)	3x6+1x0.75/Single Core Cable
WB-SI-AC1.0-16AS	16A(Single Phase)	3x2.5+1x0.75/Single Core Cable

Specification	Parameter		
Rated Current	16A / 32A	Casing Material	Thermoplastic
Rated Voltage	240V AC	Terminal Material	Copper alloy,silver plated
Insulation Resistance	>500MΩ	Operating Environment Temperature	-30°C- +50°C
Contact Resistance	0.5 mΩ Max	Mechanical Lifespan	>10000
Withstand Voltage	2000V	Warranty	24 Months
Protection Rating	IP54		
Flammability Rating	UL94V-0		

Dummy Socket

Product description: To hold the charging plug in place when not in use



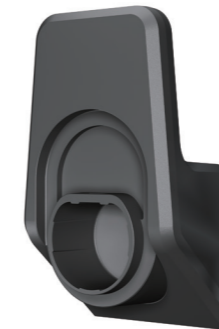
**GB DC
Wall Charger Holster**

Model No.: WB-GG-DC1.0



**GB AC
Wall Charger Holster**

Model No.: WB-GG-AC1.0



**GB AC
Wall Cable Holder**

Model No.: WB-GG-AC2.0



**Type 2 AC
Wall Charger Holster**

Model No.: WB-IG-AC1.0

Dummy Socket

Product description: To hold the charging plug in place when not in use



**CCS 2 DC
Wall Charger Holster**

Model No.: WB-IG-DC1.0



**Type 2 AC
Wall Cable Holder**

Model No.: WB-IG-AC2. 0



**CCS 1 DC
Wall Charger Holster**

Model No.: WB-SG-DC1.0



**Type 1 AC
Wall Charger Holster**

Model No.: WB-SG-AC1.0

CCS 2 to CCS 1 Adapter

Product description: CCS 2 DC charger to CCS 1 EV Vehicle charging



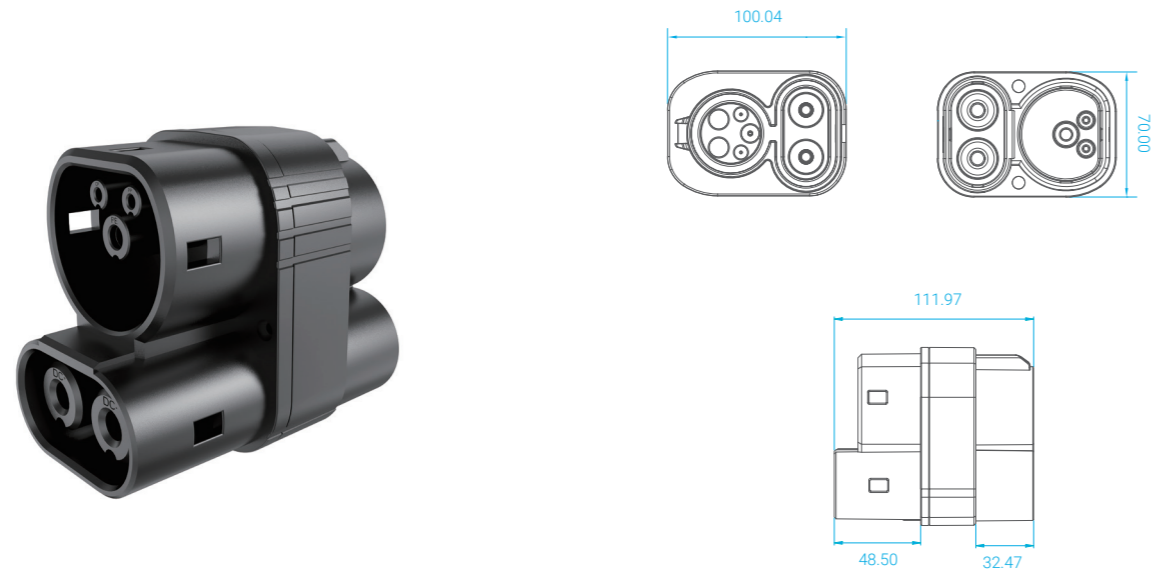
Product Parameters

Model No.	Rated Current
WB-SAE-EV150S	150A

Specification	Parameter		
Rated Current	150A	Casing Material	Thermoplastic Material
Rated Voltage	1000V DC	Terminal Material	Copper alloy,silver plated
Contact Resistance	0.5mΩ Max	Plug Lifespan	> 10000 Mating Cycles
Insertion & Withdrawal Force	<100N	Certification	CE
Operating Temperature	-30°C+50°C	Warranty	24 Months
Insulation Resistance	>500MΩ		
Protection Rating	IP55		
Flammability Rating	UL94V-0		

CCS 1 to CCS 2 Adapter

Product description: CCS 1 DC charger to CCS 2 EV Vehicle charging



Product Parameters

Model No.	Rated Current
WB-IEC-EV150S	150A

Specification	Parameter
Rated Current	150A
Rated Voltage	1000V DC
Contact Resistance	0.5mΩ Max
Operating Temperature	-30°C+50°C
Insulation Resistance	>500MΩ
Terminal Temperature Rise	<50K
Protection Rating	IP54
Flammability Rating	UL94V-0
Casing Material	Thermoplastic
Terminal Material	Copper alloy,silver plated
Plug Lifespan	> 5000 Mating Cycles
Standards	IEC62196-3: 2014
Certification	CE
Warranty	24 Months

GB Discharge Adapter

Product description: To supply AC power to electric vehicles



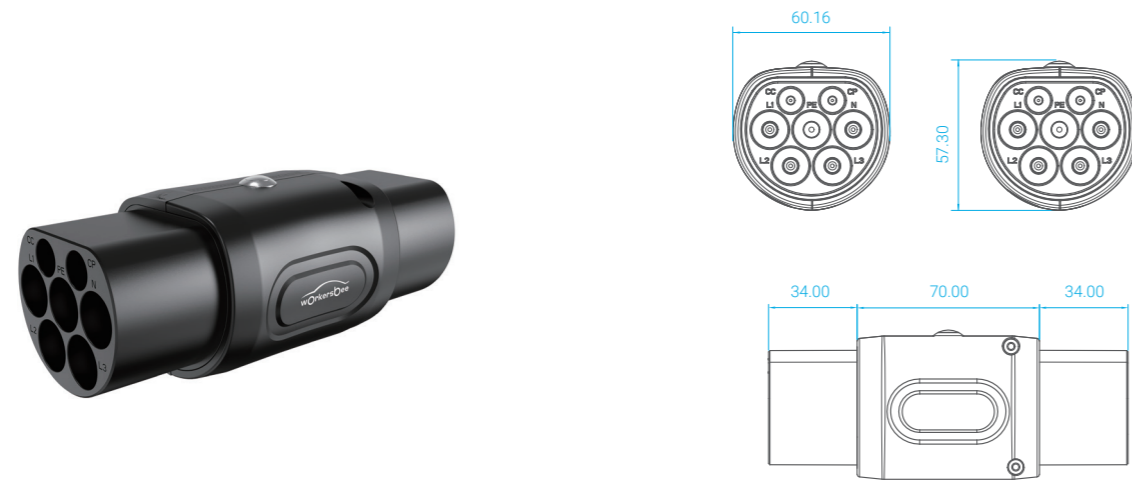
Product Parameters

Model No.	Rated Current
WB-GB-EV10A	10A

Specification	Parameter
Rated Current	10A
Rated Voltage	220V DC
Contact Resistance	10mΩ Max
Operating Temperature	-30°C+50°C
Insulation Resistance	>5MΩ
Terminal Temperature Rise	<50K
Protection Rating	IP54
Flammability Rating	UL94V-0
Casing Material	Thermoplastic
Terminal Material	Copper alloy,silver plated
Plug Lifespan	>10000 Mating Cycles
Plug Temperature Rise	< 45K
Warranty	24 Months

Type 2 to GB AC Adapter

Product description: European standard AC charging pile to National Standard EV Vehicle charging



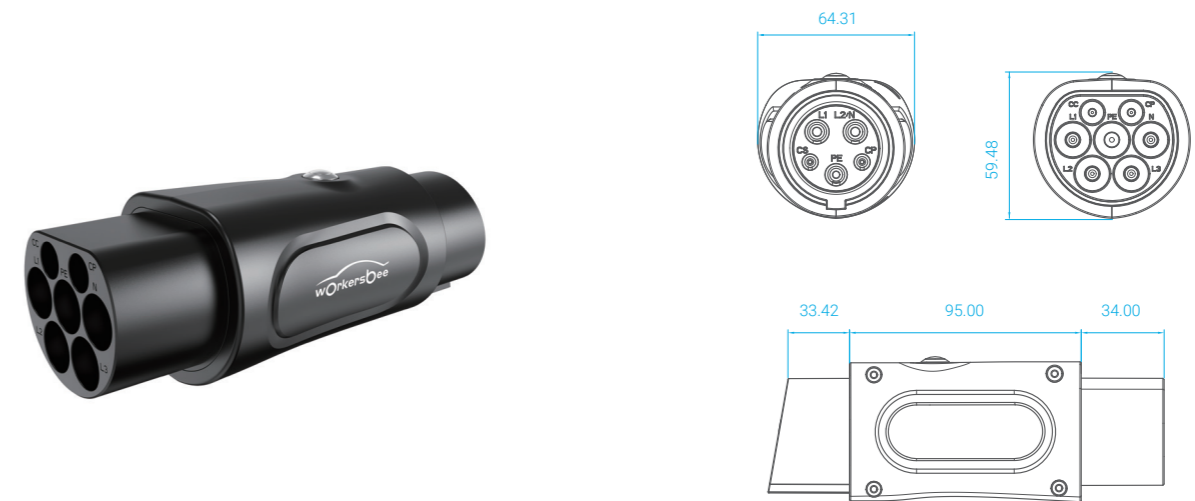
Product Parameters

Model No.	Rated Current
WB-GB2-EV32A	32A
WB-GB2-EV32T	32A

Specification	Parameter	Specification	Parameter
Rated Current	32A	Casing Material	Thermoplastic Material
Rated Voltage	250V AC / 415V AC	Terminal Material	Copper alloy,silver plated
Contact Resistance	0.5mΩ Max	Plug Lifespan	>10000 Mating Cycles
Insulation Resistance	>5MΩ	Certification	CE
Operating Temperature	-30°C+50°C	Warranty	24 Months
Insertion & Withdrawal Force	<100N		
Protection Rating	IP54		
Flammability Rating	UL94V-0		

Type 2 to Type 1 Adapter

Product description: European standard AC charging pile to American standard EV Vehicle charging



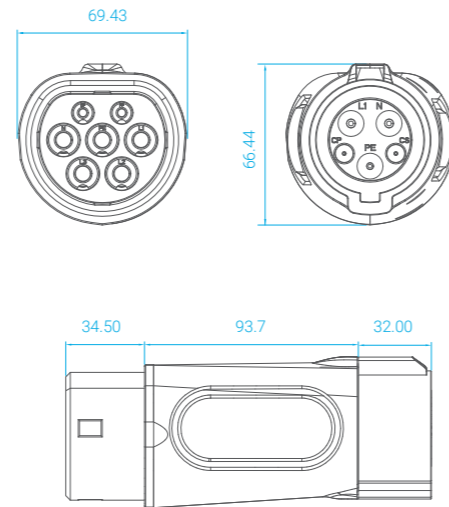
Product Parameters

Model No.	Rated Current
WB-SAE-EV32A	32A

Specification	Parameter	Specification	Parameter
Rated Current	32A	Casing Material	Thermoplastic Material
Rated Voltage	250V AC	Terminal Material	Copper alloy,silver plated
Contact Resistance	0.5mΩ Max	Plug Lifespan	>10000 Mating Cycles
Operating Temperature	-30°C+50°C	Standards	EN62196-2 & SAEJ1772
Insulation Resistance	>10MΩ	Certification	CE
Insertion & Withdrawal Force	<100N	Warranty	24 Months
Protection Rating	IP54		
Flammability Rating	UL94V-0		

Type 1 to Type 2 Adapter

Product description: American standard AC charging pile to European standard EV Vehicle charging



Product Parameters

Model No.	Rated Current
WB-IEC-EV32A	32A

Specification	Parameter		
Rated Current	32A	Casing Material	Thermoplastic Material
Rated Voltage	250V AC	Terminal Material	Copper alloy,silver plated
Contact Resistance	0.5mΩ Max	Plug Lifespan	>10000 Mating Cycles
Operating Temperature	-30°C+50°C	Standards	IEC62196-2 & SAE J1772
Insulation Resistance	>10MΩ	Certification	CE
Insertion & Withdrawal Force	<100N	Warranty	24 Months
Protection Rating	IP54		
Flammability Rating	UL94V-0		

Applications

60+
Countries

200+
International
Cities

20+
Partnerships with
New Energy
Vehicle Manufacturers

400M+
Cumulative
Charging Capacity



We provide electric vehicle charging solutions to more than **900,000** households