






Workersbee
Official Whatsapp



Workersbee
Official Website

Suzhou Yihang Electronic Science & Technology Co., Ltd.

-  info@workersbee.com
-  <http://www.workersbee.com>
-  **Group Headquarters:** 538 Fang Qiao Road, SIP-Xiangcheng Cooperative Zone, Suzhou, China



Workersbee Product Brochure

World's Leading Provider of EV Charging Solutions

Contents

Culture

- Company Profile 003
- Milestone 004
- Certifications 004
- Our Markets 005
- Our Partners 005
- Our Advantages 005

EV Connector - Plugs

- GBT Charging Plugs- 007
- IEC Charging Plugs 011
- SAE Charging Plugs 019
- NACS Charging Plugs 022

EV Connector - Sockets

- Charging Sockets 024
- Dummy Sockets 031

- EV Adapters 033



Culture

Company Profile

Workersbee is a high-tech enterprise specializing in the research, development, production, and sales of EV plugs, portable EV chargers, and other related components. The company was founded in 2007, with its headquarters located at No. 538 Fangqiao Road, SIP-Xiangcheng Cooperative Zone, Suzhou, China.

Workersbee now has a team of over 300 professionals across R&D, production, sales, and management. The company holds more than 260 patents, including 135 invention patents, covering fields such as power electronics, system electricals, material structures and intelligent manufacturing processes.

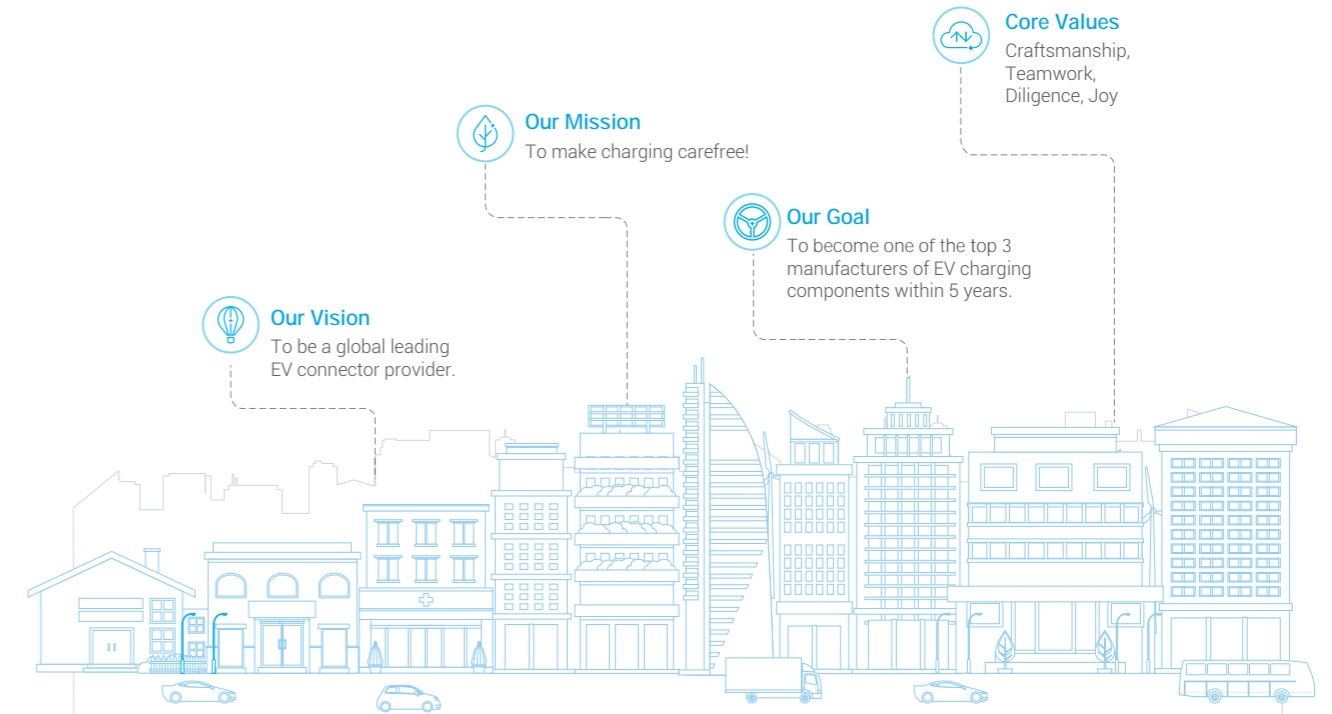
The company has passed **ISO 9001:2015 and IATF 16949:2016** quality management system certifications, and its products have obtained **TÜV, CE, UKCA, UL, CQC**, and other mandatory testing certifications.

Workersbee charging plugs are not only stable and durable, but also exquisitely designed with waterproof and dustproof protection up to IP67. Their current output capability is among the top level worldwide, supporting **DC charging up to 400A (natural air cooling) and up to 1000A (liquid cooling)**.

Since their launch, Workersbee products have received high praise from well-known automotive manufacturers and EV charger makers from home and abroad. The product portfolio covers **GB/T, Type 2 & CCS2, Type 1 & CCS1, and NACS** EV connectors.

Workersbee is the first company in China to adopt automated lean production for EV plugs, ensuring high quality and competitive pricing, and making it one of the largest EV plug manufacturers in China.

Workersbee's vision is to become a "global leading EV connector solution provider", pursuing excellence in both products and services. Rooted in China, Workersbee continues to expand globally to deliver high-performance, refined products and outstanding services to users.



Milestone



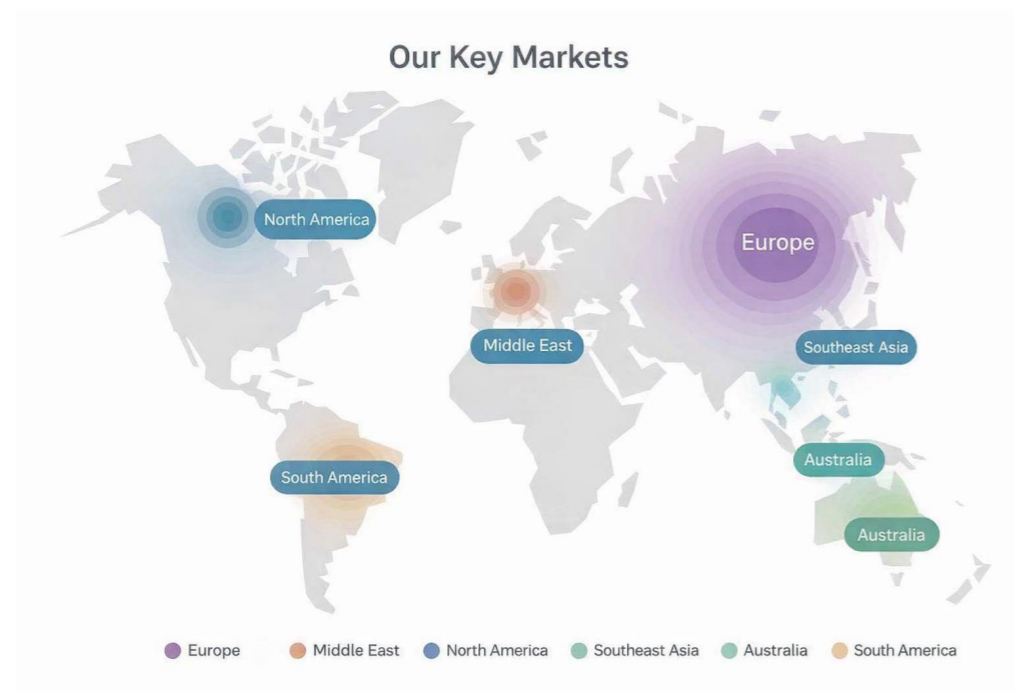
Certifications

Workersbee® has been granted a number of invention patents, utility model patents and design patents, and has registered trademarks in China, Europe, North America, among other regions.

The company has passed IATF16949 and ISO9001 quality management system certifications. It has also passed authoritative certifications for its products, including CE, TUV, RoHS, CB, UKCA, UL, etc.



Our Markets



Our Advantages

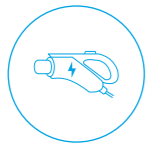
- Strong OEM & ODM Capability
- Proven Mass Production Experience & Market Validation
- High-Power DC Charging Expertise
- Broad Product Portfolio Covering Global Standards
- Certified Quality & Automotive-Grade Manufacturing
- Automated Lean Production for Consistent Quality
- Competitive Cost Structure Without Sacrificing Quality
- Fast Response & Efficient Communication
- Customization & Design-for-Application Mindset
- Global Presence with Local Understanding

2 Manufacturing Bases | 8 Years Brand Globalization | 20 Software Copyrights | 260+ Patents

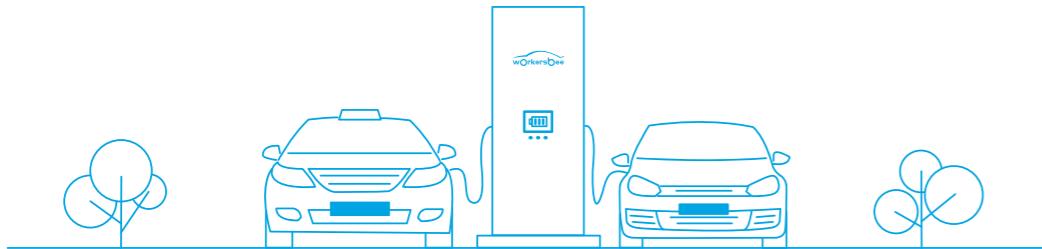


Our Partners





EV Connector-Plugs



G4.0 GBT Liquid-cooling DC EV Cable



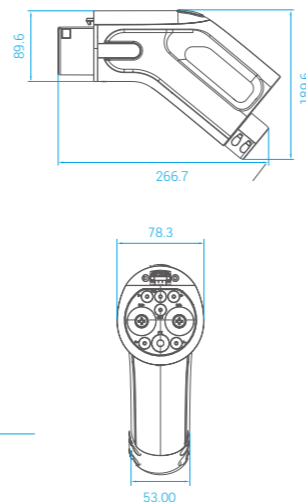
Cable Specification

Model NO.	Max Current	Cable Specification	Cable Material	Outer Cable Diameter	Liquid Cooling
WB-GC-DC4.0	600A	4x25+1x6+2x2.5+2x0.75(P2)+3x0.5(P2)+5x0.5	TPU	30.0mm	YES
	400A	2x16+1x6+2x2.5+2x0.75(P2)+3x0.5(P2)+5x0.5	TPU	26.5mm	

Product Parameters

Rated Voltage	1000V DC			
Withstand Voltage	3500VAC, leakage<5mA			
Insulation Resistance	>500MΩ		Compliant with GB/T11918.1-2014 under thermal conditions	
Temperature Rise	<50K			
Insertion & Withdrawal Force	<140N			
Plug Lifespan	>10000 mating cycles			
Protection Rating	IP55			
Flammability Rating	UL94V-0			
Enclosure Color	White/ Black			
Operating Temperature	-30°C- +50°C			
Operating Altitude	<4000m			
Coolant Medium	Water cooling model: water+glycol Oil cooling model: silicone oil			
Coolant Capacity	Approx. 2.5L (5m cable)			
Coolant Pressure	Approx. 3.5-8bar			
Coolant Flow Rate	1.5-3L/min			
Liquid Cooling System Power Consumption	<160W			
Liquid Cooling System Noise Output	<60dB			
Heat Exchange Rate	170W@300A	255W@400A	374W@500A	530W@600A
Warranty	24 months			

G4.0 GBT Non-liquid DC EV Cable



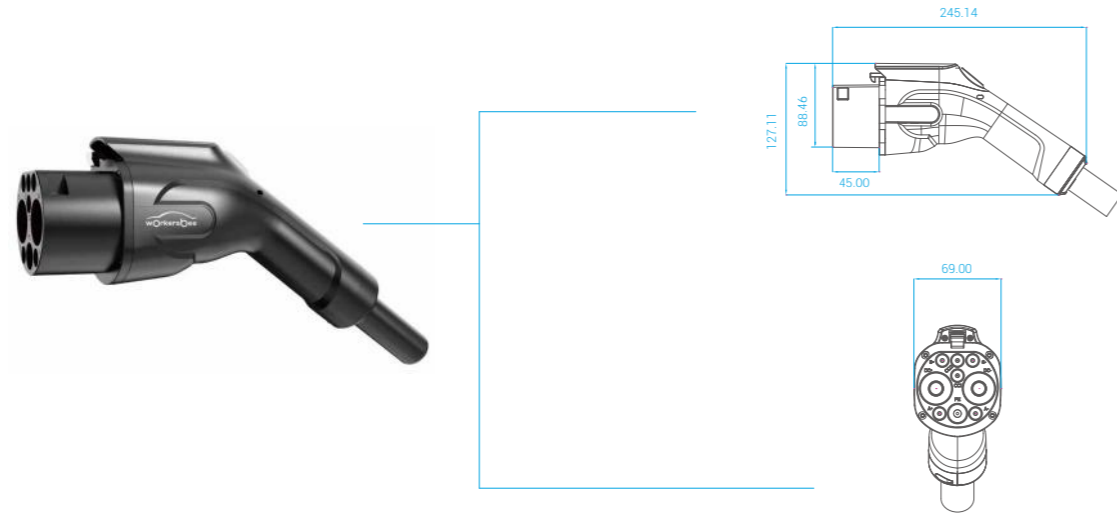
Cable Specification

Model No.	Rated Current	Cable Specification	Cable Material	Outer Cable Diameter	Liquid Cooling
WB-GC-DC4.0	350A	4x50+1x6+2x1.5+4x0.75 (P2)+10x0.5	TPU	38mm	NO
	300A	4x40+1x6+2x2.5+4x0.75(P2)+7x0.75	TPU	32.6mm	
	250A	4x35+1x6+2x2.5+3x0.75(P2)+7x0.75	TPU	30.5mm	
	150A/200A	4x25+1x6+2x2.5+3x0.75(P2)+7x0.75	TPU	29.0mm	
	125A	2x35+1x6+2x2.5+3x0.75(P2)+7x0.75	TPU	27.0mm	
	80A	2x25+1x6+2x2.5+3x0.75(P2)+7x0.75	TPU	26.0mm	

Product Parameters

Rated Current	80-350A DC
Rated Voltage	1000V DC
Withstand Voltage	3500VAC, leakage<5mA
Insulation Resistance	>500MΩ
Temperature Rise	<50K
Insertion & Withdrawal Force	<140N
Plug Lifespan	>10000 mating cycles
Protection Rating	IP55
Flammability Rating	UL94V-0
Operating Environment Temperature	-30°C- +50°C
Altitude	<4000m
Enclosure Color	White/ Black
Cable Length	5m or more
Warranty	24 months

G3.0 GBT Low-power DC EV Cable



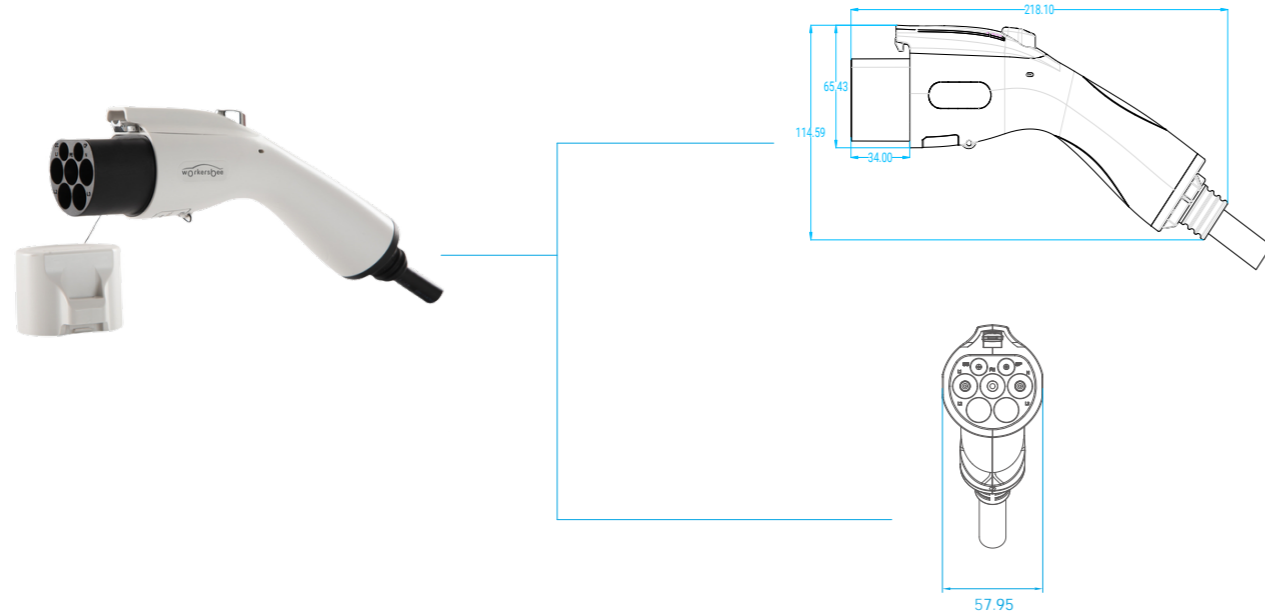
Cable Specification

Model No.	Rated Current	Cable Specification	Cable Material	Outer Cable Diameter
WB-GC-DC3.0-80A	80A	2x16+1x10+2x1.5+(2x0.75)(P2)+5x0.75+(3x0.75)(P2)	TPE	25.5mm
WB-GC-DC3.0-60A	60A	2x16+1x10+2x1.5+(2x0.75)(P2)+5x0.75+(3x0.75)(P2)	TPE	25.5mm
WB-GC-DC3.0-50A	50A	2x10+1x6+2x1.5+(2x0.75)(P2)+5x0.75+(3x0.75)(P2)	TPE	24.5mm
WB-GC-DC3.0-40A	40A	2x8+1x4+2x1.5+(2x0.75)(P2)+5x0.75+(3x0.75)(P2)	TPE	24.0mm
WB-GC-DC3.0-32A	32A	2x6+1x4+2x1.5+(2x0.75)(P2)+5x0.75+(3x0.75)(P2)	TPE	23.5mm
WB-GC-DC3.0-20A	20A	2x4+1x2.5+2x1.5+(2x0.75)(P2)+5x0.75+(3x0.75)(P2)	TPE	22.5mm

Product Parameters

Rated Current	20A-80A
Rated Voltage	750/1000V DC
Insulation Resistance	> 500MΩ
Contact Resistance	0.5 mΩ Max
Withstand Voltage	3500V AC
Flammability Rating	UL94V-0
Insertion & Withdrawal Force	< 140N
Certification	Compulsory Testing Report
Mechanical Lifespan	> 10000 mating cycles
Protection Rating	IP55
Casing Material	Thermoplastic
Terminal Material	Silver plated copper alloy
Operating Environment Temperature	-30°C- +50°C
Terminal Temperature Rise	< 50K
Warranty	24 months

G1.0 GBT AC EV Cable



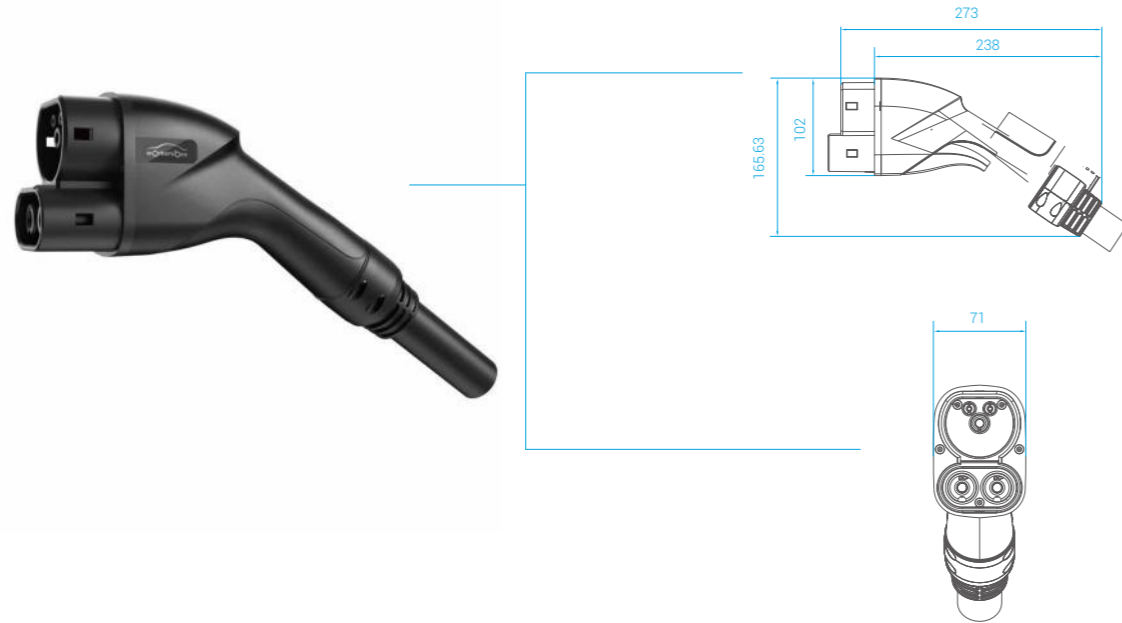
Cable Specification

Model No.	Rated Current	Cable Specification	Cable Material	Outer Cable Diameter
WB-GC-AC1.0	32A 1P	3x6+1x0.75	TPE	15.5mm
WB-GC-AC1.0	16A 1P	3x2.5+1x0.75	TPE	13.5mm
WB-GC-AC1.0	32A 3P	5x6+1x0.75	TPE	18.5mm
WB-GC-AC1.0	16A 3P	5x2.5+1x0.75	TPE	13.5mm

Product Parameters

Rated Current	16A 1P, 16A 3P, 32A 1P, 32A 3P
Rated Voltage	250V/440 AC
Operating Temperature	-30°C- +50°C
Insulation Resistance	500MΩ
Withstand Voltage	2500V
Flammability Rating	UL94V-0
Protection Rating	IP55
Certification	Compulsory testing/CQC
Mechanical Lifespan	>10000 mating cycles
Temperature Rise	16A<30K, 32A<40K
Insertion & Withdrawal Force	<100N
Enclosure Material	PC
Coupler Material	PA66+25%GF
Terminal Material	Silver-plated copper alloy
Warranty	24 months

G2.0 CCS 2 Liquid-cooling DC EV Cable



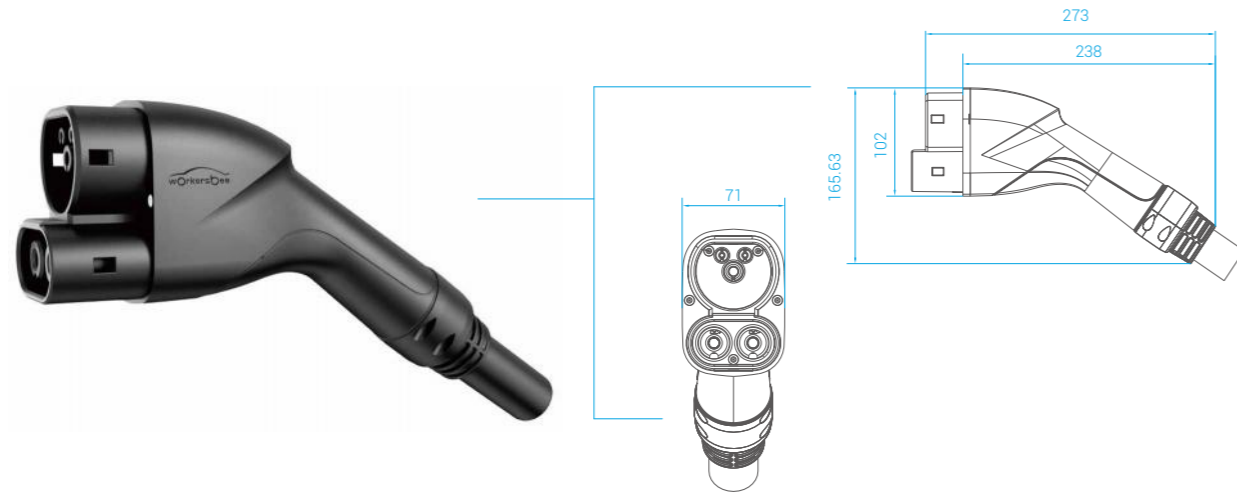
Cable Specification

Model No.	Max Current	Cable Specification	Cable Material	Cable Outer Diameter	Liquid Cooling
WB-IC-DC2.0	500A	4x25+1x6+2x(3x0.75)(P2) +2x0.75(P2)	TPU	34.0mm	YES

Product Parameters

Rated Current	500A (700A boost mode)
Rated Voltage	1000V DC
Insulation Resistance	500MΩ
Withstand Voltage	3500V AC
Flammability Rating	UL94V-0
Plug Lifespan	>10000 mating cycles
Protection Rating	IP55
Temperature Rise	<50K
Operating Environment Temperature	-30°C- +50°C
Insertion & Withdrawal Force	<100N
Liquid Cooling System Power Consumption	<160W
Enclosure Material	PC
Coupler Material	PA66+25%GF
Terminal Material	Silver-plated copper alloy
Coolant Medium	Silicone oil
Coolant Capacity	Approx. 2.5L (5m cable)
Coolant Pressure	Approx. 3.5-8bar
Coolant Flow Rate	1.5-3L/min
Heat Exchange Rate	170W@300A, 255W@400A, 374W@500A
Liquid Cooling System	374W@500A
Noise Output	<60dB
Warranty	24 months

G2.0 CCS 2 Non-liquid DC EV Cable



Cable Specification

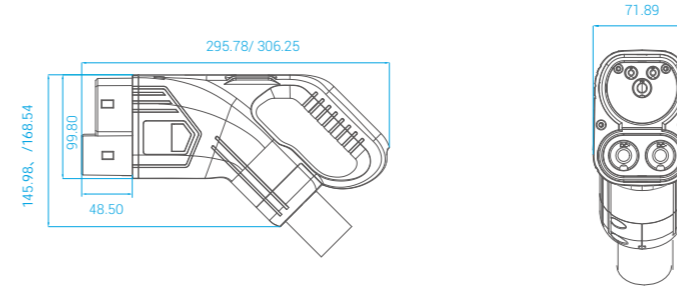
Model No.	Rated Current	Cable Specification	Cable Material	Outer Cable Diameter	Liquid Cooling
WB-IC-DC2.0	250A (Peak 350A)	2x70+35+2x0.75(P2)+2x(2x0.75) 2x70+35+2x(2x0.75)(P2)+2x(2x0.75)	TPU	34.0mm	NO
	200A				
	150A	2x50+1x25+6x0.75		30.0mm	
	125A	2x35+1x25+6x0.75		26.7mm	
	80A	2x16+1x16+6x0.75		20.5mm	
	60A				
	40A	2x10+1x6+3x(2x0.75)(P2)		22.0mm	
	32A	2x6+1x6+3x(2x0.75)(P2)		21.0mm	



Product Parameters

Rated Current	32-250A
Rated Voltage	1000V DC
Insulation Resistance	500MΩ
Withstand Voltage	3500V AC
Flammability Rating	UL94V-0
Plug Lifespan	>10000 mating cycles
Protection Rating	IP55
Enclosure Material	PC
Coupler Material	PA66+25%GF
Terminal Material	Silver-plated copper alloy
Insertion & Withdrawal Force	< 100N
Temperature Rise	< 50K
Operating Environment Temperature	-35°C- +50°C
Warranty	24 months

G1.1 CCS 2 Non-liquidDC EV Cable



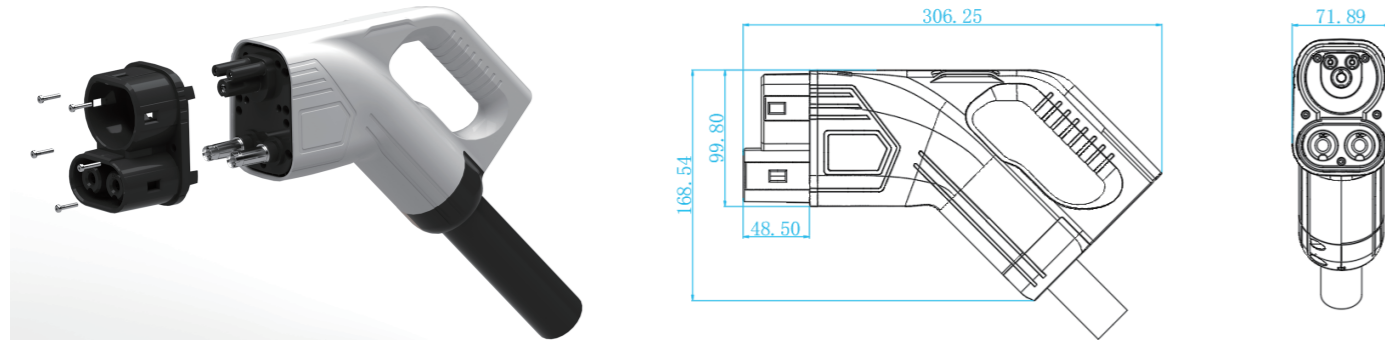
Cable Specification

Model No.	Rated Current	Cable Specification	Cable Material	Cable Outer Diameter
WB-IC-DC1.1-400A	400A	4*60+1*6+(2*0.75)(P2)+2*(2*0.75)	TPU	38.0mm
WB-IC-DC1.1-375A	375A	4*60+1*6+(2*0.75)(P2)+2*(2*0.75)		38mm
		4*50+1*6+(2*0.75)(P2)+2*(2*0.75)		34.5mm
		4*60+1*35+(2*0.75)(P2)+2*(2*0.75)		40mm
WB-IC-DC1.1-350A	350A	4*50+1*6+(2*0.75)(P2)+2*(2*0.75)		34.5mm
		4*60+1*35+(2*0.75)(P2)+2*(2*0.75)		40mm
WB-IC-DC1.1-300A	300A	4*40+1*6+(2*0.75)(P2)+2*(2*0.75)		32mm
		4*50+1*35+(2*0.75)(P2)+2*(2*0.75)		37mm
WB-IC-DC1.1-250A	250A	4*35+1*6+(2*0.75)(P2)+2*(2*0.75)		31mm
		2*70+1*35+(2*0.75)(P2)+2*(2*0.75)		34mm
WB-IC-DC1.1-200A	200A	4*25+1*6+(2*0.75)(P2)+2*(2*0.75)		29mm
		2*70+1*35+(2*0.75)(P2)+2*(2*0.75)		34mm
WB-IC-DC1.1-150A	150A	2*35+1*6+(2*0.75)(P2)+2*(2*0.75)		25mm
		2*50+1*25+2*0.75(P2)+2*(2*0.75)		30mm
WB-IC-DC1.1-125A	125A	2*25+1*6+(2*0.75)(P2)+2*(2*0.75)		22.5mm
		2*35+1*25+2*0.75(P2)+2*(2*0.75)		26.7mm
WB-IC-DC1.1-100A	100A	2*16+1*6+2*0.75(P2)+2*(2*0.75)	20.5mm	
		2*16+1*6+(2*0.75)(P2)+2*(2*0.75)	20.5mm	
WB-IC-DC1.1-80A	80A	2*16+1*16+2*0.75(P2)+2*(2*0.75)	20.5mm	

Product Parameters

Rated Current	80-400A
Rated Voltage	1000V DC
Insulation Resistance	>500MΩ
Contact Resistance	0.5 mΩ Max
Withstand Voltage	3500V AC
Flammability Rating	UL94V-0
Mechanical Lifespan	>10000 mating cycles
Protection Rating	IP55
Casing Material	Thermoplastic
Terminal Material	Silver-plated copper alloy
Operating Environment Temperature	-30°C to +50°C
Terminal Temperature Rise	< 50K
Insertion & Withdrawal Force	< 140N
Certification	TUV / CE
Warranty	24 months

G1.2 CCS 2 Liquid-cooling EV Cable



- 5 minutes charging for 300+km range;
- Lightweight and sleek for one-handed operation;
- Potting at terminal and inner wire connection for higher protection and better temperature rise;
- Quick-release replaceable mating frame for easy maintenance;

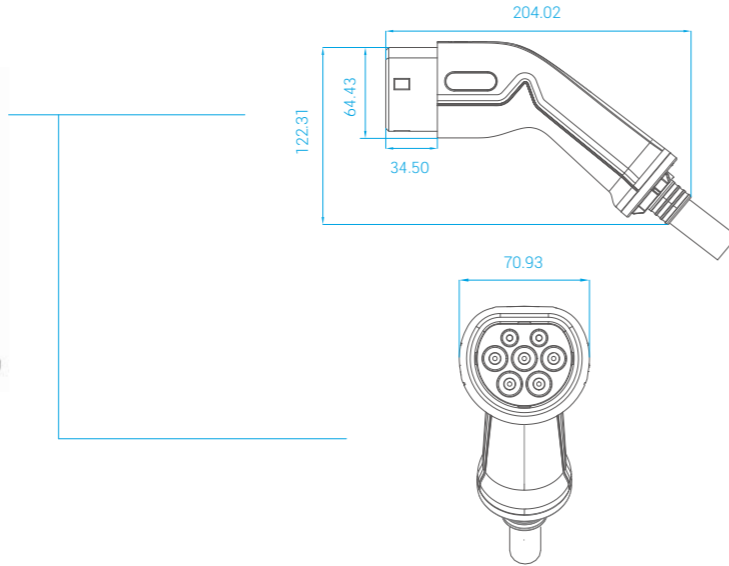
Cable Specification

Model No.	Max Current	Cable Specification	Cable Material	Cable OD	Liquid Cooling
WB-IC-DC1.2	800/1000A	4×25+1×6+4×0.75(P2)+4×0.75	TPU	35.5mm	YES

Product Parameters

Rated Current	800A for oil cooling/1000A for liquid cooling
Rated Voltage	1500V DC
Insulation Resistance	500MΩ
Withstand Voltage	3500V AC
Flammability Rating	UL94V-0
Plug Lifespan	>10000 mating cycles
Protection Rating	IP55
Temperature Rise	<50K
Operating Environment Temperature	-30°C- +50°C
Insertion & Withdrawal Force	<140N
Liquid Cooling System Power Consumption	<330W
Enclosure Material	PC
Coupler Material	PA66+25%GF
Terminal Material	Silver-plated copper alloy
Coolant Medium	Water + ethylene glycol/ oil
Coolant Capacity	Approx. 2.5L (5m cable)
Coolant Pressure	Approx. 5-8bar
Coolant Flow Rate	1.5-3L/min
Heat Exchange Rate	2.4Kw@800A/ 1000A
Noise Output	<68dB
Warranty	24 months
Max Working Altitude	4000m

G1.0 Type 2 AC



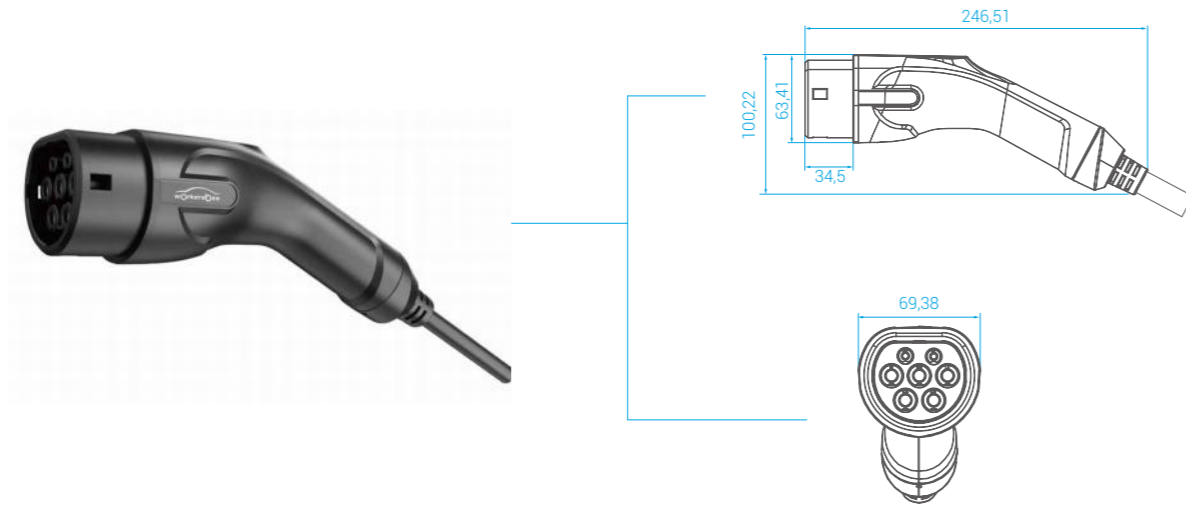
Cable Specification

Model No.	Rated Current	Cable Specification	Cable Material	Outer Cable Diameter
WB-IC-AC1.0-32AS	32A (Single Phase)	3x6+1x0.5	TPU	13.5mm
WB-IC-AC1.0-32AT	32A (Three phase)	5x6+1x0.5	TPU	16.8mm
WB-IC-AC1.0-16AS	16A (Single Phase)	3x2.5+1x0.5	TPU	11.7mm
WB-IC-AC1.0-16AT	16A (Three phase)	5x2.5+1x0.5	TPU	13.5mm

Product Parameters

Rated Current	16A/32A, single phase or three phase
Rated Voltage	250V/ 480V AC
Insulation Resistance	> 500MΩ
Contact Resistance	0.5 mΩ Max
Withstand Voltage	2000V
Flammability Rating	UL94V-0
Mechanical Lifespan	> 10000 mating cycles
Protection Rating	IP55
Casing Material	Thermoplastic
Terminal Material	Silver-plated copper alloy
Operating Environment Temperature	-30°C- +50°C
Certification	UKCA / CB/ TUV/ CE
Warranty	24 months

G2.1 Type 2 AC



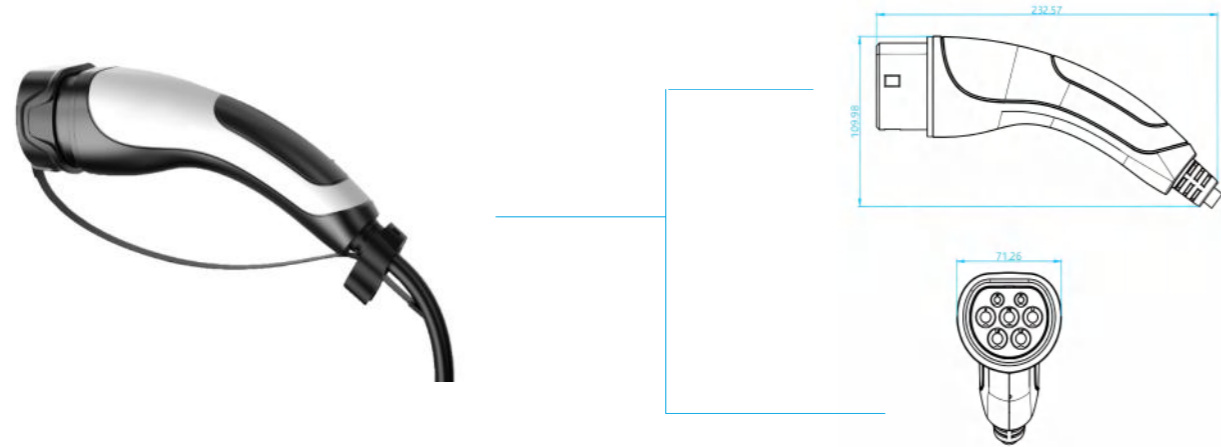
Cable Specification

Model No.	Rated Current	Cable Specification	Cable Material	Outer Cable Diameter
WB-IC-AC2.1-32AS	32A (Single Phase)	3x6+1x0.5	TPU	13.5mm
WB-IC-AC2.1-32AT	32A (Three phase)	5x6+1x0.5	TPU	16.8mm
WB-IC-AC2.1-20AS	20A (Single Phase)	3x2.5+1x0.5	TPU	11.7mm
WB-IC-AC2.1-20AT	20A (Three phase)	5x2.5+1x0.5	TPU	13.5mm
WB-IC-AC2.1-16AS	16A (Single Phase)	3x2.5+1x0.5	TPU	11.7mm
WB-IC-AC2.1-16AT	16A (Three phase)	5x2.5+1x0.5	TPU	13.5mm

Product Parameters

Rated Current	16A/32A, single phase or three phase
Rated Voltage	250V/ 480V AC
Insulation Resistance	>500MΩ
Contact Resistance	0.5 mΩ Max
Withstand Voltage	2000V AC
Flammability Rating	UL94V-0
Mechanical Lifespan	>10000 mating cycles
Protection Rating	IP55
Casing Material	Thermoplastic
Terminal Material	Silver-plated copper alloy
Operating Environment Temperature	-30°C- +50°C
Certification	UKCA / CB/ TUV/ CE
Warranty	24 months

G2.3 Type 2 AC



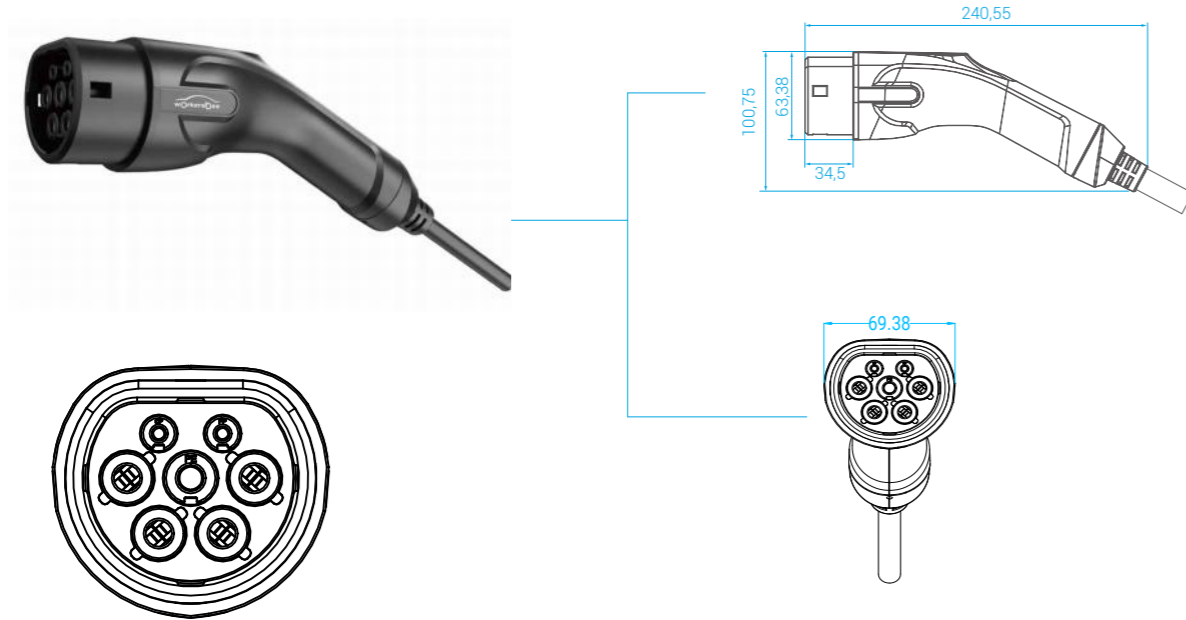
Cable Specification

Model No.	Rated Current	Cable Specification	Cable Material	Outer Cable Diameter
WB-IC-AC2.3-32AS	32A (Single Phase)	3x6+1x0.5	TPU	13.5mm
WB-IC-AC2.3-32AT	32A (Three phase)	5x6+1x0.5	TPU	16.8mm
WB-IC-AC2.3-20AS	20A (Single Phase)	3x2.5+1x0.5	TPU	11.7mm
WB-IC-AC2.3-20AT	20A (Three phase)	5x2.5+1x0.5	TPU	13.5mm
WB-IC-AC2.3-16AS	16A (Single Phase)	3x2.5+1x0.5	TPU	11.7mm
WB-IC-AC2.3-16AT	16A (Three phase)	5x2.5+1x0.5	TPU	13.5mm

Product Parameters

Rated Current	16A/32A, single phase or three phase
Rated Voltage	250V/ 480V AC
Insulation Resistance	>500MΩ
Contact Resistance	0.5 mΩ Max
Withstand Voltage	2000V AC
Flammability Rating	UL94V-0
Mechanical Lifespan	>10000 mating cycles
Protection Rating	IP55
Casing Material	Thermoplastic
Terminal Material	Silver-plated copper alloy
Operating Environment Temperature	-30°C- +50°C
Certification	UKCA / CB/ TUV/ CE
Warranty	24 months

G3.0 Type 2 Cable with Shutter



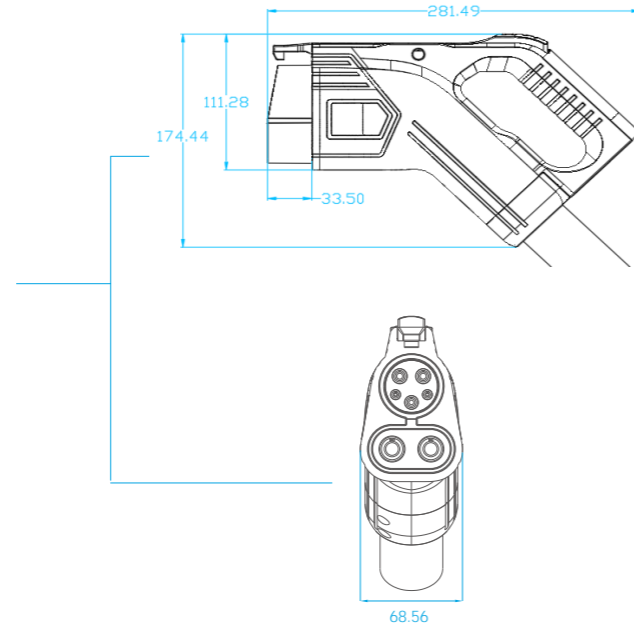
Cable Specification

Model No.	Rated Current	Cable Specification	Cable Material	Outer Cable Diameter
WB-IC-AC3.0-32AS	32A (Single Phase)	3x6+1x0.5	TPU	13.5mm
WB-IC-AC3.0-32AT	32A (Three phase)	5x6+1x0.5	TPU	16.8mm
WB-IC-AC3.0-16AS	16A (Single Phase)	3x2.5+1x0.5	TPU	11.7mm
WB-IC-AC3.0-16AT	16A (Three phase)	5x2.5+1x0.5	TPU	13.5mm

Product Parameters

Rated Current	16A/32A, single phase or three phase
Rated Voltage	250V/ 480V AC
Insulation Resistance	>500MΩ
Contact Resistance	0.5 mΩ Max
Withstand Voltage	2000V AC
Flammability Rating	UL94V-0
Mechanical Lifespan	>10000 mating cycles
Protection Rating	IP55
Casing Material	Thermoplastic
Terminal Material	Silver-plated copper alloy
Operating Environment Temperature	-30°C- +50°C
Certification	AK, CE
Warranty	24 months

G1.0 CCS 1 DC



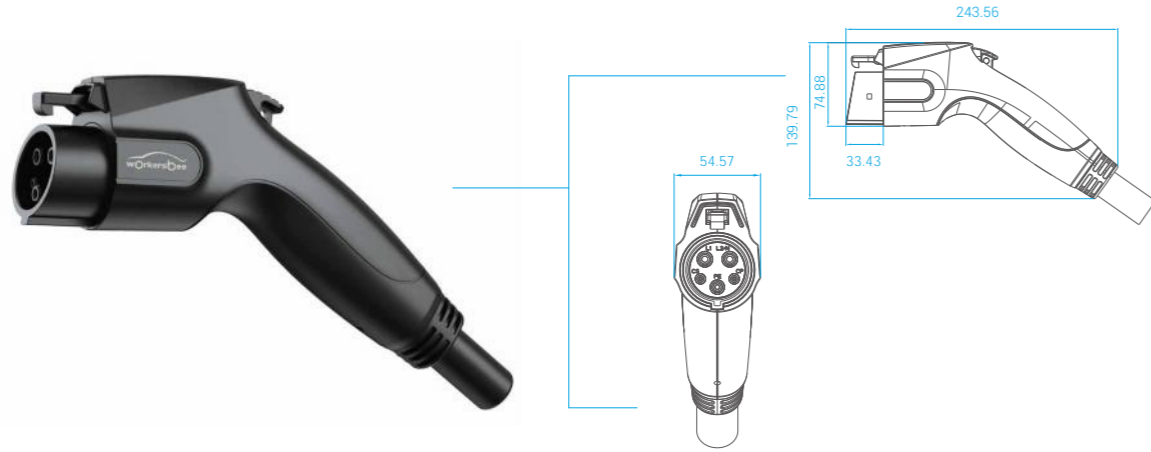
Cable Specification

Model No.	Rated Current	Cable Specification	Cable Material	Cable OD
WB-SC-DC1.0-400A	400A	4*1/0AWG+1*12AWG+(2*18AWG)(P2)+2*(2*18AWG)	TPE	36.5mm
WB-SC-DC1.0-380A	380A	4*1/0AWG+1*12AWG+(2*18AWG)(P2)+2*(2*18AWG)	TPE	36.5mm
WB-SC-DC1.0-300A	300A	4*1AWG+12AWG+(2*18AWG)(P2)+2*(2*18AWG)	TPE	34.8mm
WB-SC-DC1.0-250A	250A	4*3AWG+1*12AWG+(2*18AWG)(P2)+4*18AWG	TPE	30mm
WB-SC-DC1.0-200A	200A	4*3AWG+1*12AWG+(2*18AWG)(P2)+4*18AWG	TPE	30mm
WB-SC-DC1.0-150A	150A	2*4AWG+1*12AWG+(2*18AWG)(P2)+2*(2*18AWG)	TPE	22.5mm
WB-SC-DC1.0-125A	125A	2*2AWG+1*8AWG+P(5X18AWG+1X18AWGP)	TPE	32.0mm
WB-SC-DC1.0-80A	80A	2*5AWG+1*9AWG+P(5X18AWG+1X18AWGP)	TPE	28.5mm
WB-SC-DC1.0-60A	60A	2*5AWG+1*9AWG+P(5X18AWG+1X18AWGP)	TPE	28.5mm

Product Parameters

Rated Current	60A-400A
Rated Voltage	1000V DC
Insulation Resistance	>500MΩ
Contact Resistance	0.5 mΩ Max
Withstand Voltage	3500V AC
Flammability Rating	UL94V-0
Mechanical Lifespan	>10000 mating cycles
Protection Rating	NEMA 3R
Casing Material	Thermoplastic
Terminal Material	Silver-plated copper alloy
Operating Environment Temperature	-30°C- +50°C
Terminal Temperature Rise	<50K
Insertion & Withdrawal Force	<140N
Certification	UL/ CE
Warranty	24 months

G2.0 Type 1 AC



Cable Specification

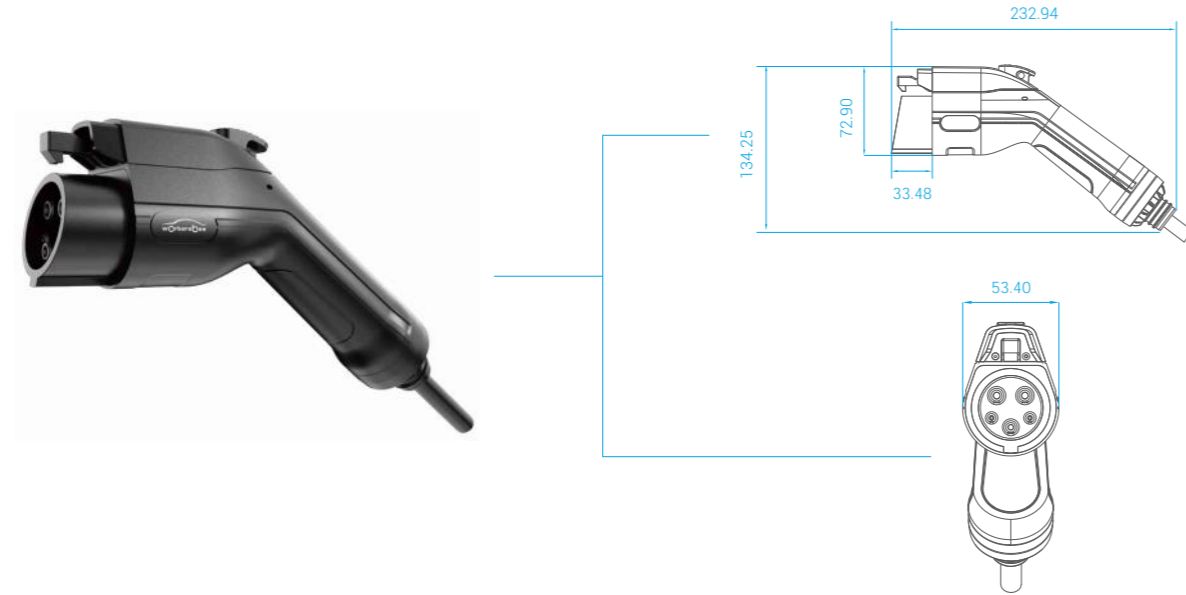
Model No.	Rated Current	Cable Specification	Cable Material	Outer Cable Diameter
WB-SC-AC2.0-80A	80A	2x5AWG+1x6AWG+4x18AWG	TPE	25.0mm
WB-SC-AC2.0-70A	70A	2x6AWG+1x6AWG+4x18AWG	TPE	24.5mm
WB-SC-AC2.0-64A	64A	2x5AWG+1x6AWG+4x18AWG	TPE	21.7mm
WB-SC-AC2.0-60A	60A	2x5AWG+1x6AWG+4x18AWG	TPE	21.7mm
WB-SC-AC2.0-50A	50A	2x7AWG+1x9AWG+4x18AWG	TPE	20.5mm
WB-SC-AC2.0-48A	48A	2x7AWG+1x9AWG+4x18AWG	TPE	20.5mm
WB-SC-AC2.0-32A	32A	3x10AWG+1x18AWG	TPE	16mm



Product Parameters

Rated Current	32-80A
Rated Voltage	110V / 240V AC
Insulation Resistance	>500MΩ
Contact Resistance	0.5 mΩ Max
Withstand Voltage	2500V
Flammability Rating	UL94V-0
Mechanical Lifespan	>10000 mating cycles
Protection Rating	NEMA 3S
Casing Material	Thermoplastic
Terminal Material	Silver-plated copper alloy
Operating Environment Temperature	-30°C- +50°C
Certification	UL
Warranty	24 months

G1.0 Type 1 AC



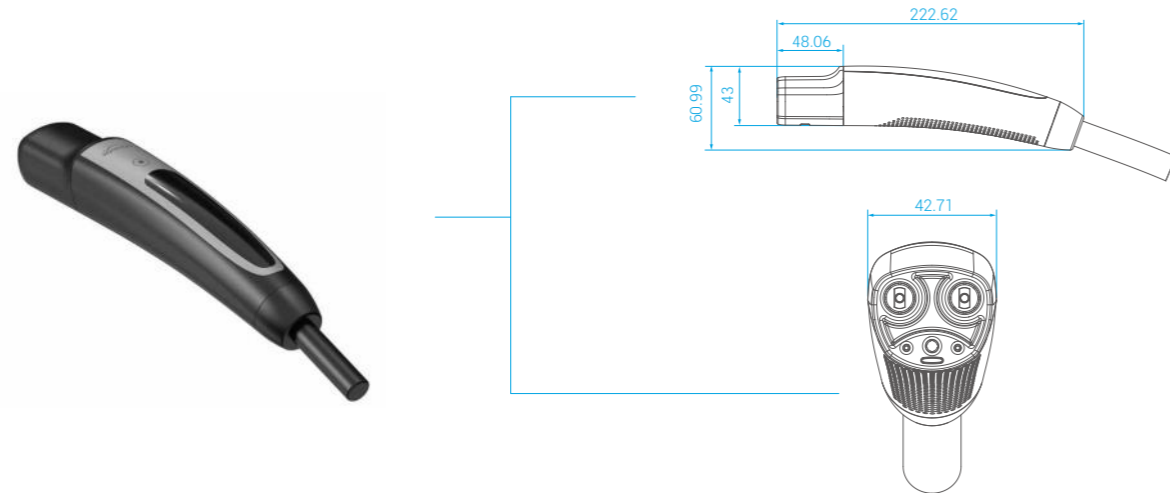
Cable Specification

Model No.	Rated Current	Cable Specification	Cable Material	Cable OD
WB-SC-AC1.0-48AS	48A	2x8AWG+1x10AWG+1x16AWG	TPE	20.5mm
WB-SC-AC1.0-40AS	40A	3x9AWG+1x18AWG	TPE	18.5mm
WB-SC-AC1.0-32AS	32A	3x10AWG+1x18AWG	TPE	16.0mm
WB-SC-AC1.0-16AS	16A	3x14AWG+1x18AWG	TPE	14.3mm

Product Parameters

Rated Current	16-48A
Rated Voltage	110V / 240V AC
Insulation Resistance	> 500MΩ
Contact Resistance	0.5 mΩ Max
Withstand Voltage	2000V AC
Flammability Rating	UL94V-0
Mechanical Lifespan	> 10000 mating cycles
Protection Rating	IP55/NEMA 3R
Casing Material	Thermoplastic
Terminal Material	Silver-plated copper alloy
Operating Environment Temperature	-30°C- +50°C
Certification	UL
Warranty	24 months

NACS AC & Low-power DC EV Cable



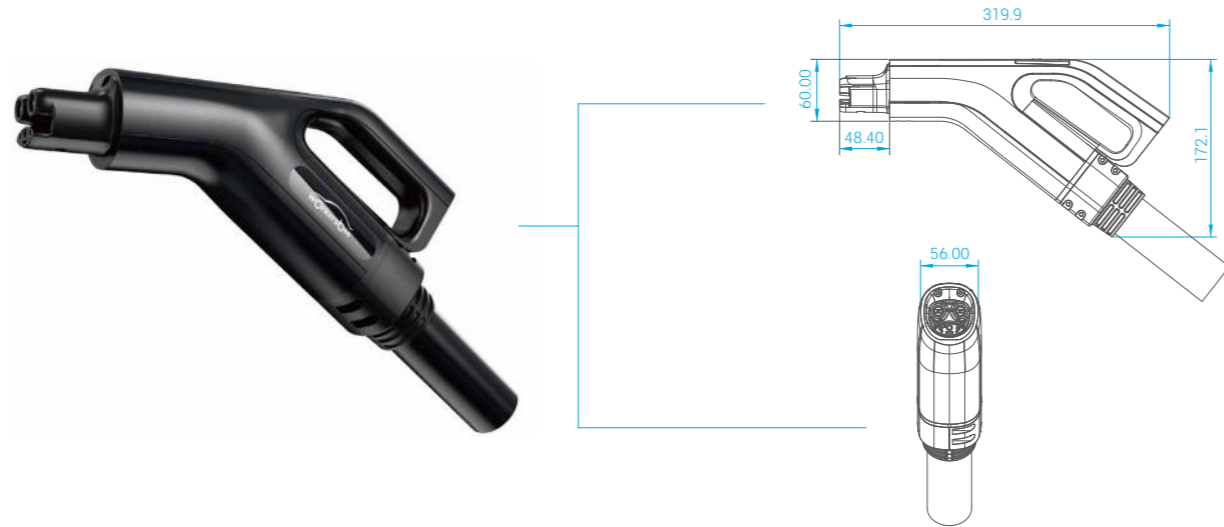
Cable Specification

Model No.	Rated Current	Cable Specification	Cable Material	Outer Cable Diameter
WB-TC-AC1.0-16A	16A	3*14AWG+4*22AWG	TPE	10.3mm
WB-TC-AC1.0-32A	32A	3*10AWG+4*22AWG		12.0mm
WB-TC-AC1.0-40A	40A	3*9AWG+7*22AWG		14.8mm
WB-TC-AC1.0-48A	48A	2*8AWG+1*10AWG+4*22AWG		14.5mm
WB-TC-AC1.0-50A	50A	2*8AWG+1*10AWG+4*22AWG		14.5mm
WB-TC-AC1.0-80A	80A	2*6AWG+1*8AWG+6*22AWG		19.5mm
WB-TC-DC1.0-40A	40A	3*9AWG+7*22AWG		14.8mm
WB-TC-DC1.0-48A	48A	2*8AWG+1*10AWG+4*22AWG		14.5mm
WB-TC-DC1.0-60A	60A	2*7AWG+1*9AWG+7*22AWG		16.2mm
WB-TC-DC1.0-80A	80A	2*6AWG+1*8AWG+6*22AWG		19.5mm

Product Parameters

Rated Current	AC: 16-80A DC: 40-80A
Rated Voltage	120V/240V AC 1000V DC
Insulation Resistance	>500MΩ
Contact Resistance	0.5 mΩ Max
Withstand Voltage	2000V
Flammability Rating	UL94V-0
Mechanical Lifespan	>10000 mating cycles
Protection Rating	TYPE 3S
Casing Material	Thermoplastic
Terminal Material	Silver-plated copper alloy
Operating Environment Temperature	-30°C to +50°C
Terminal Temperature Rise	< 50K
Insertion & Withdrawal Force	< 90N
Certification	UL2251
Warranty	24 months

NACS Non-liquid DC EV Cable

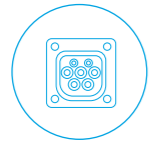


Cable Specification

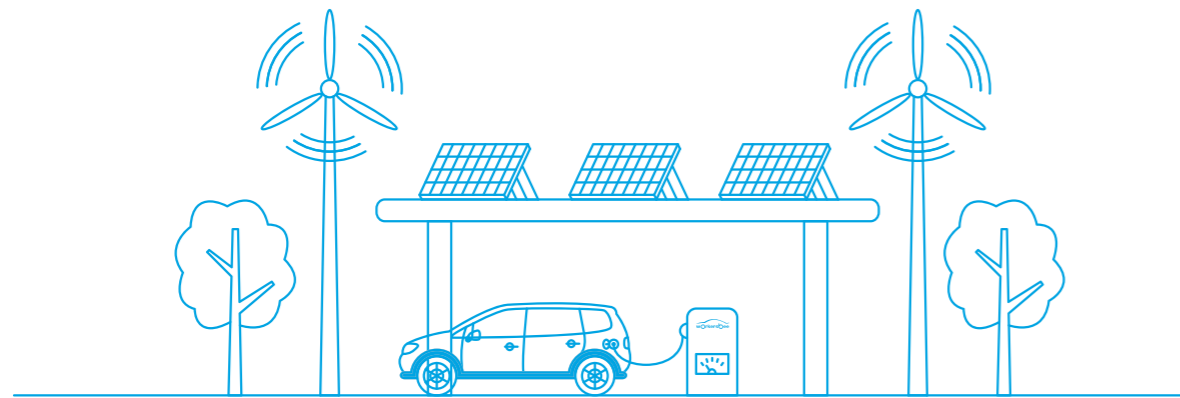
Model No.	Rated Current	Cable Specification	Cable Material	Cable OD
WB-TC-DC1.0-200A	200A	4x2AWG+1*12AWG+2*18AWG(S)+4*18AWG	TPE	30.5mm
WB-TC-DC1.0-250A	250A	4x1AWG+1*12AWG+2*18AWG(S)+4*18AWG	TPE	32.5mm
WB-TC-DC1.0-300A	300A	4x1/0AWG+1*1*12AWG+1*18AW-G(S)+5*18AWG	TPE	36.5mm
WB-TC-DC1.0-350A	350A	4x1/0AWG+1*12AWG+1*18AW-G(S)+5*18AWG	TPE	36.5mm

Product Parameters

Rated Current	200-350A
Rated Voltage	1000V DC
Insulation Resistance	> 500MΩ
Contact Resistance	0.5 mΩ Max
Withstand Voltage	3500V AC
Flammability Rating	UL94V-0
Mechanical Lifespan	> 10000 mating cycles
Protection Rating	TYPE 3S
Casing Material	Thermoplastic
Terminal Material	Silver-plated copper alloy
Operating Environment Temperature	-30°C to +50°C
Terminal Temperature Rise	< 50K
Insertion & Withdrawal Force	< 90N
Certification	UL2251
Warranty	24 months

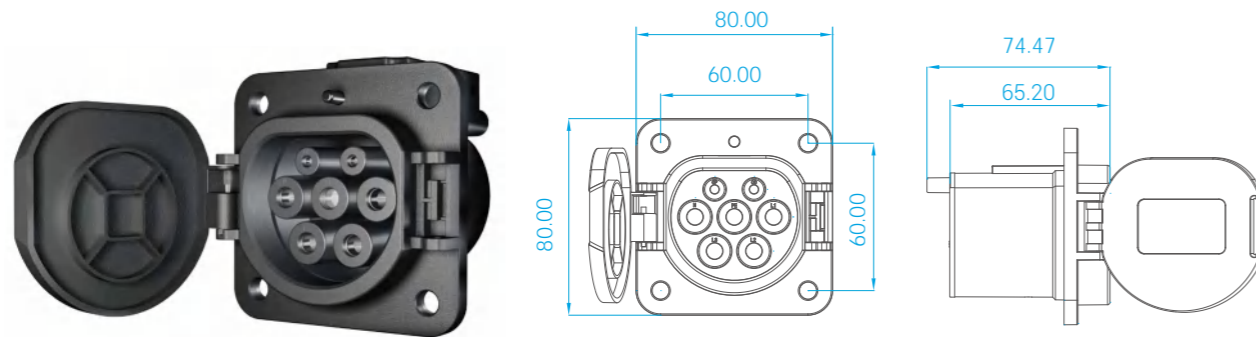


EV Connector-Sockets



Charging Socket

GBT AC EV Inlet Socket



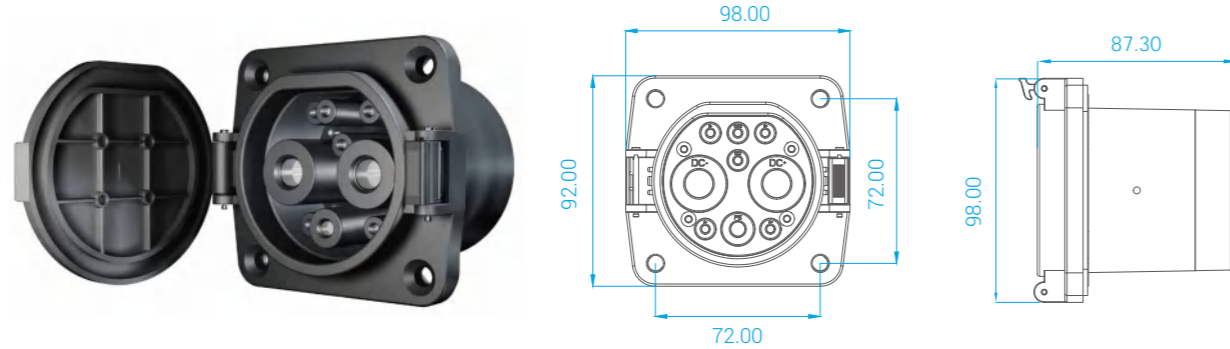
Cable Specification

Model No.	Rated Current	Cable Specification
WB-GI-AC1.0-32AS	32A (Single Phase)	3x6+2x0.75
WB-GI-AC1.0-32AT	32A (Three phase)	5x6+2x0.75
WB-GI-AC1.0-16AS	16A (Single Phase)	3x2.5+2x0.75
WB-GI-AC1.0-16AT	16A (Three phase)	5x2.5+2x0.75

Product Parameters

Rated Current	16A/32A, single phase or three phase
Rated Voltage	250V / 480V AC
Insulation Resistance	>500MΩ
Contact Resistance	0.5 mΩ Max
Withstand Voltage	2000V
Protection Rating	IP55
Flammability Rating	UL94V-0
Mechanical Lifespan	>10000 mating cycles
Casing Material	Thermoplastic
Terminal Material	Copper alloy, silver plated
Operating Environment Temperature	-30°C- +50°C
Certification	Compulsory testing report
Warranty	24 months

GBT DC Inlet Socket



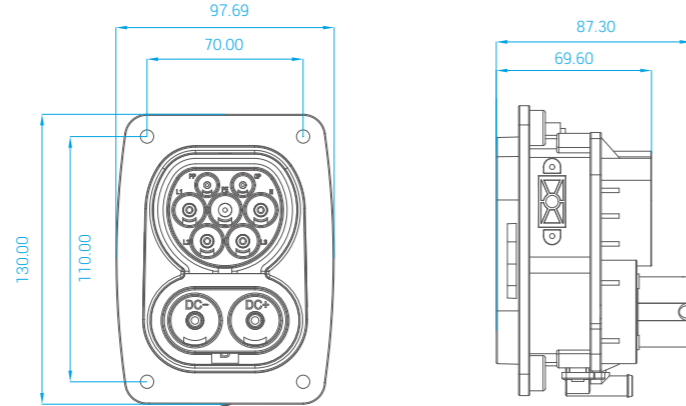
Cable Specification

Model No.	Rated Current	Cable Specification
WB-GI-DC1.0-250A	250A	2x80+1x25+2x4+7x1.0
WB-GI-DC1.0-200A	200A	2x70+1x25+2x4+7x1.0
WB-GI-DC1.0-150A	150A	2x50+1x25+2x4+7x1.0
WB-GI-DC1.0-125A	125A	2x35+1x25+2x4+7x1.0
WB-GI-DC1.0-80A	80A	2x16+1x25+2x4+7x1.0

Product Parameters

Rated Current	80A/125A/150A/200A/250A
Rated Voltage	750V/1000V DC
Insulation Resistance	> 500MΩ
Contact Resistance	0.5 mΩ Max
Withstand Voltage	3000V
Protection Rating	IP55
Flammability Rating	UL94V-0
Mechanical Lifespan	>10000 mating cycles
Casing Material	Thermoplastic
Terminal Material	Copper alloy, silver plated
Operating Environment Temperature	-30°C- +50°C
Certification	Compulsory testing report
Warranty	24 months

CCS 2 DC Inlet Socket



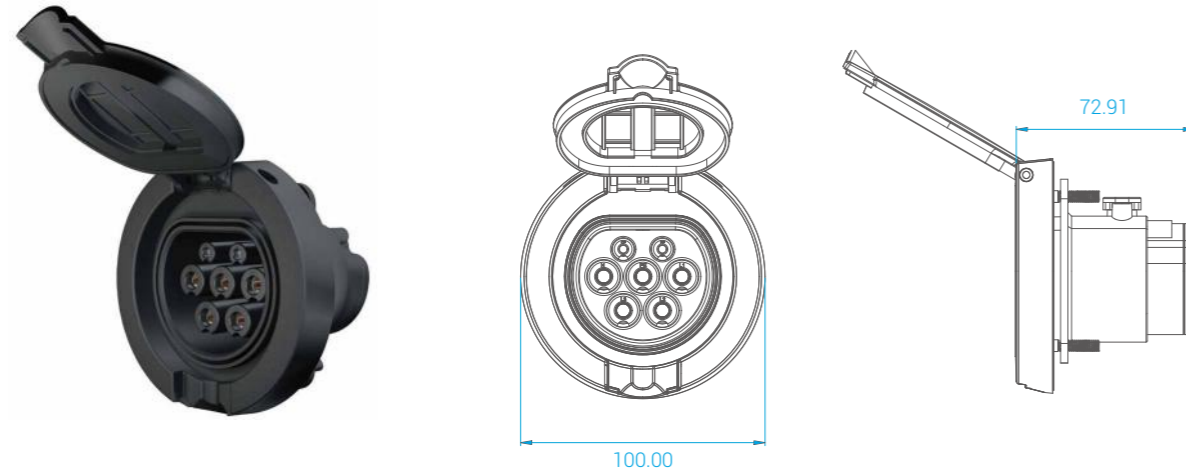
Cable Specification

Model No.	Rated Current	Cable Specification
WB-II-DC1.0-200A	200A	2x70+1x25+4x6+6x0.75
WB-II-DC1.0-150A	150A	2x50+1x25+4x6+6x0.75
WB-II-DC1.0-125A	125A	2x35+1x25+4x6+6x0.75
WB-II-DC1.0-080A	80A	2x16+1x25+4x6+6x0.75

Product Parameters

Rated Current	AC 16A/32A, single or three phase	DC 80A/125A/150A/200A
Rated Voltage	250V / 480V AC	1000V DC
Insulation Resistance	> 500MΩ	
Contact Resistance	0.5 mΩ Max	
Withstand Voltage	3000V	
Flammability Rating	UL94V-0	
Mechanical Lifespan	> 10000 mating cycles	
Protection Rating	IP54	
Casing Material	Thermoplastic	
Terminal Material	Copper alloy, silver plated	
Operating Environment Temperature	-30°C- +50°C	
Certification	CE	
Warranty	24 months	

G1.0 Type 2 AC Outlet Socket



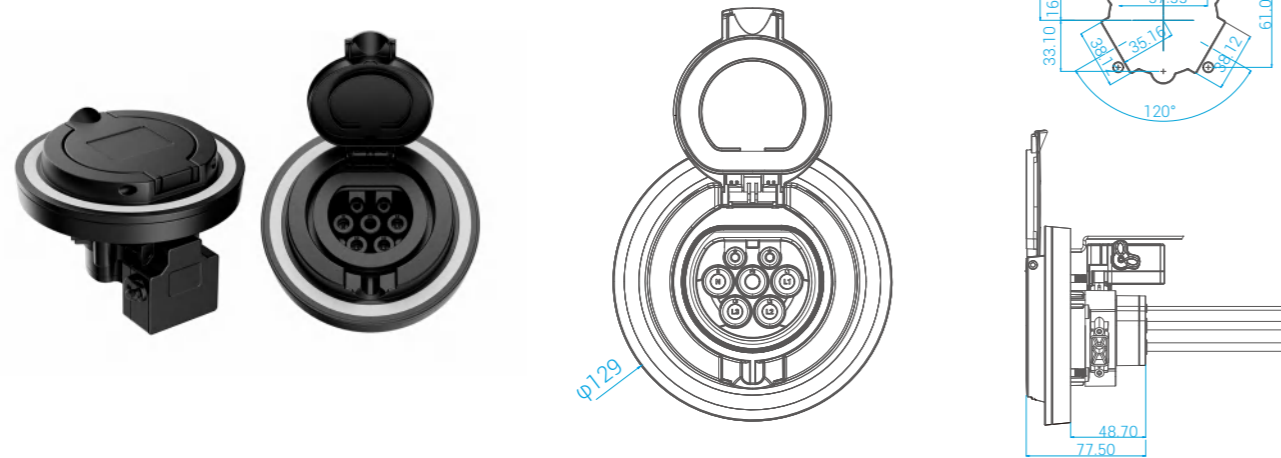
Cable Specification

Model No.	Rated Current	Cable Specification
WB-IS-AC1.0-32AS	32A (Single Phase)	3x6+2x0.75
WB-IS-AC1.0-32AT	32A (Three phase)	5x6+2x0.75
WB-IS-AC1.0-16AS	16A (Single Phase)	3x2.5+2x0.75
WB-IS-AC1.0-16AT	16A (Three Phase)	5x2.5+2x0.75

Product Parameters

Rated Current	16A/32A
Rated Voltage	250V / 480V AC
Insulation Resistance	>500MΩ
Contact Resistance	0.5 mΩ Max
Withstand Voltage	2000V
Protection Rating	IP54
Flammability Rating	UL94V-0
Casing Material	Thermoplastic
Terminal Material	Copper alloy, silver plated
Operating Environment Temperature	-30°C- +50°C
Certification	TUV / CE / CB / UKCA
Mechanical Lifespan	> 10000 mating cycles
Warranty	24 months

Type 2 AC Outlet Socket 2.0



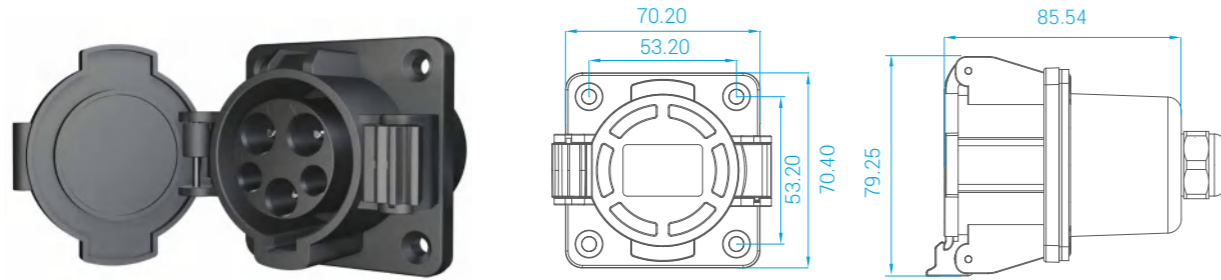
Cable Specification

Model No.	Rated Current	Cable Specification
WB-IS-AC2.0-32AS	32A (Single Phase)	3x6+2x0.75
WB-IS-AC2.0-32AT	32A (Three phase)	5x6+2x0.75
WB-IS-AC2.0-16AS	16A (Single Phase)	3x2.5+2x0.75
WB-IS-AC2.0-16AT	16A (Three Phase)	5x2.5+2x0.75

Product Parameters

Rated Current	16A/32A
Rated Voltage	250V / 480V AC
Insulation Resistance	> 500MΩ
Contact Resistance	0.5 mΩ Max
Withstand Voltage	2000V
Protection Rating	IP54
Flammability Rating	UL94V-0
Casing Material	Thermoplastic
Terminal Material	Copper alloy, silver plated
Operating Environment Temperature	-30°C- +50°C
Certification	TUV / CE / CB
Mechanical Lifespan	> 10000 mating cycles
Warranty	24 months

Type 1 AC EV Inlet Socket



Cable Specification

Model No.	Rated Current	Cable Specification
WB-SI-AC1.0-32AS	32A (Single Phase)	3x6+1x0.75
WB-SI-AC1.0-16AS	16A (Single Phase)	3x2.5+1x0.75

Product Parameters

Rated Current	16A / 32A
Rated Voltage	240V AC
Insulation Resistance	> 500MΩ
Contact Resistance	0.5 mΩ Max
Withstand Voltage	2000V
Protection Rating	IP54
Flammability Rating	UL94V-0
Casing Material	Thermoplastic
Terminal Material	Copper alloy, silver plated
Operating Environment Temperature	-30°C- +50°C
Mechanical Lifespan	> 10000 mating cycles
Warranty	24 months

Dummy Socket



**GB DC
Plug Holder**

Model No.: WB-GG-DC1.0



**GB AC Plug Holder
& Cable Organizer**

Model No.: WB-GG-AC2.0



**GB AC
Plug Holder**

Model No.: WB-GG-AC1.0



**Type 2 AC
Plug Holder**

Model No.: WB-IG-AC1.0

Dummy Socket



**CCS 2 DC
Plug Holder**

Model No.: WB-IG-DC1.0



**Type 2 AC Plug Holder &
Cable Organizer**

Model No.: WB-IG-AC2. 0



**CCS 1 DC
Plug Holder**

Model No.: WB-SG-DC1.0

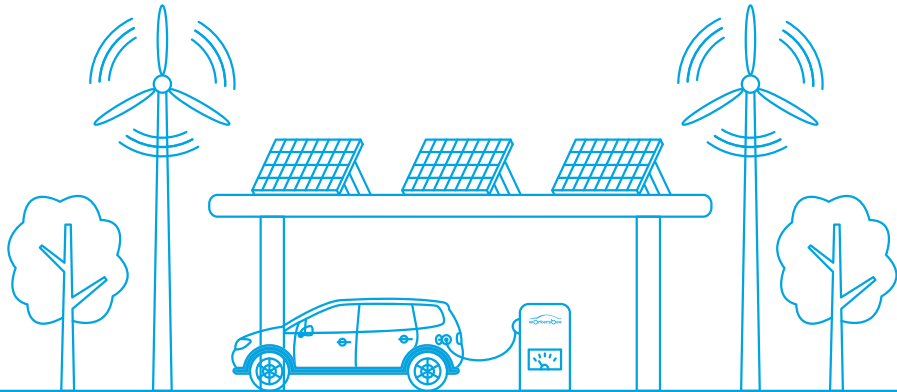


**Type 1 AC
Plug Holder**

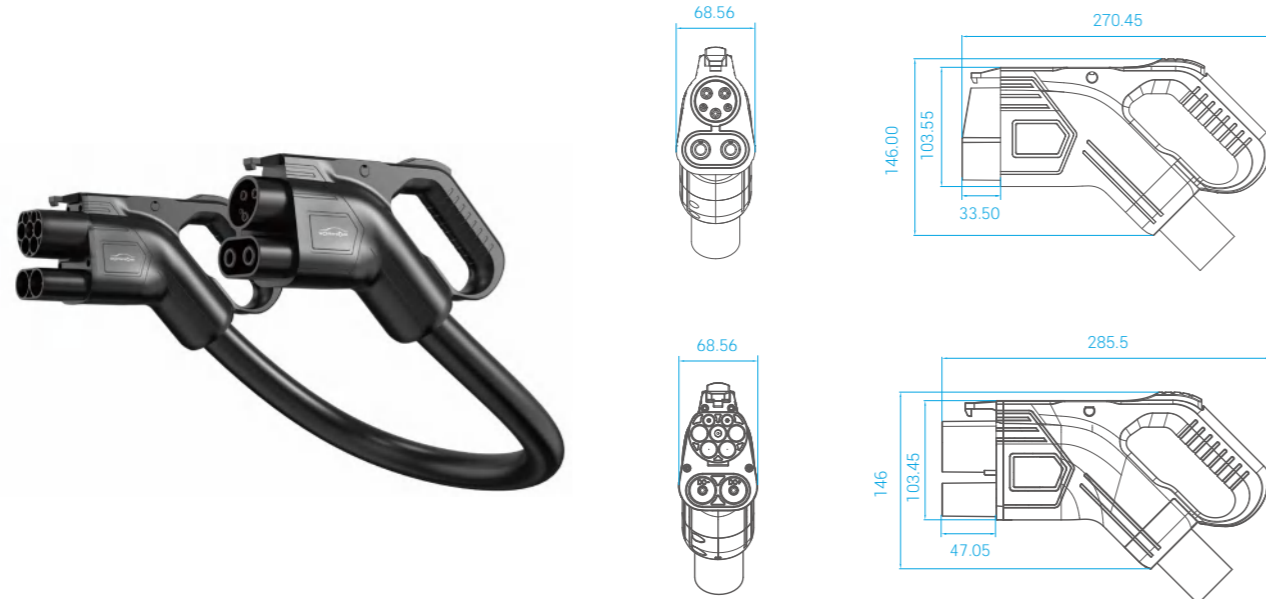
Model No.: WB-SG-AC1.0



EV Adapters



CCS2 to CCS1 EV Adapter



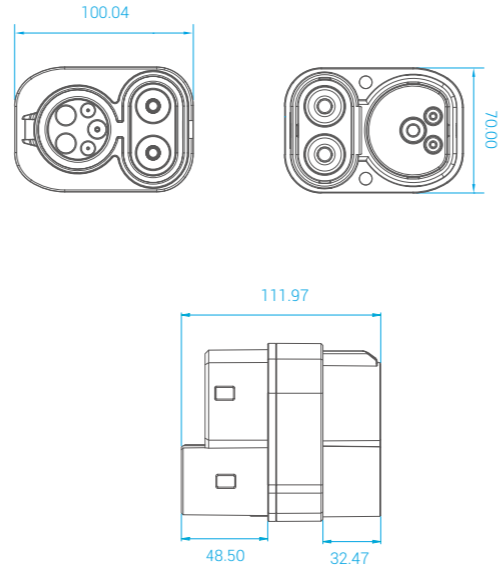
Cable Specification

Model No.	Rated Current
WB-SAE-EV150S	150A

Product Parameters

Rated Current	150A
Rated Voltage	1000V DC
Contact Resistance	0.5mΩ Max
Insertion & Withdrawal Force	< 100N
Operating Temperature	-30°C~+50°C
Insulation Resistance	> 500MΩ
Protection Rating	IP55
Flammability Rating	UL94V-0
Casing Material	Thermoplastic
Terminal Material	Copper alloy, silver plated
Plug Lifespan	> 10000 mating cycles
Certification	CE
Warranty	24 months

CCS 1 to CCS 2 EV Adapter



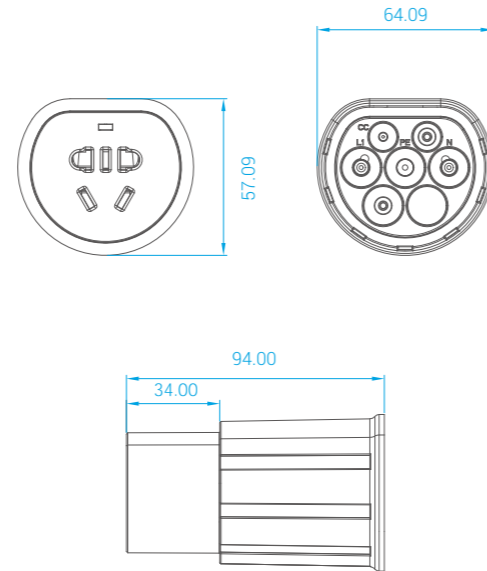
Cable Specification

Model No.	Rated Current
WB-IEC-EV150S	150A

Product Parameters

Rated Current	150A
Rated Voltage	1000V DC
Contact Resistance	0.5mΩ Max
Operating Temperature	-30°C~+50°C
Insulation Resistance	>500MΩ
Terminal Temperature Rise	< 50K
Protection Rating	IP55
Flammability Rating	UL94V-0
Casing Material	Thermoplastic
Terminal Material	Copper alloy, silver plated
Plug Lifespan	>10000 mating cycles
Standards	IEC62196-3: 2014
Certification	CE
Warranty	24 months

GBTEV Discharge Adapter



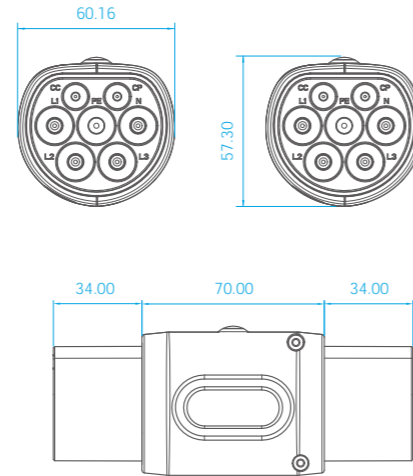
Cable Specification

Model No.	Rated Current
WB-GB-EV10A	10A

Product Parameters

Rated Current	10A
Rated Voltage	220V DC
Contact Resistance	10mΩ Max
Operating Temperature	-30°C-+50°C
Insulation Resistance	>5MΩ
Terminal Temperature Rise	<50K
Protection Rating	IP54
Flammability Rating	UL94V-0
Casing Material	Thermoplastic
Terminal Material	Copper alloy, silver plated
Plug Lifespan	>10000 mating cycles
Plug Temperature Rise	<45K
Warranty	24 months

Type 2 to GBTEV Adapter



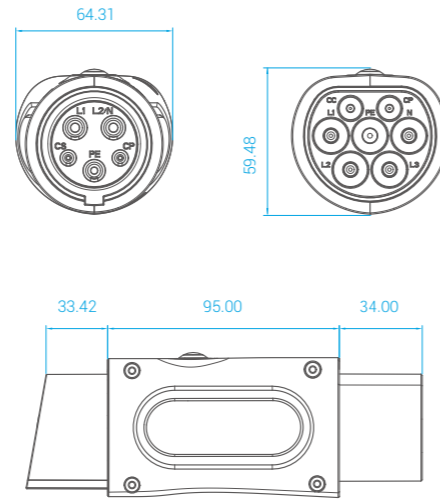
Cable Specification

Model No.	Rated Current
WB-GB2-EV32A	32A, single phase
WB-GB2-EV32T	32A, three phase

Product Parameters

Rated Current	32A
Rated Voltage	250V AC / 480V AC
Contact Resistance	0.5mΩ Max
Insulation Resistance	>5MΩ
Operating Temperature	-30°C-+50°C
Insertion & Withdrawal Force	<100N
Protection Rating	IP54
Flammability Rating	UL94V-0
Casing Material	Thermoplastic
Terminal Material	Copper alloy, silver plated
Plug Lifespan	>10000 mating cycles
Certification	CE
Warranty	24 months

Type 2 to Type 1 EV Adapter



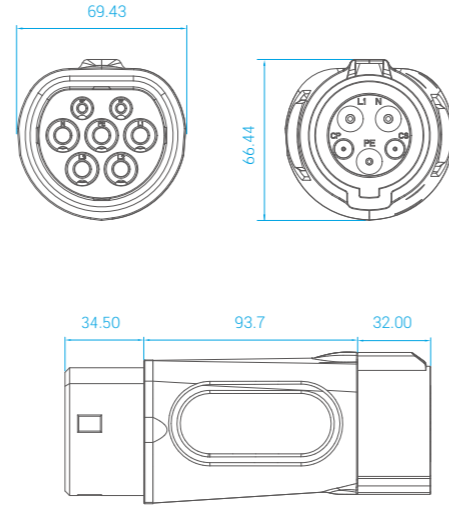
Cable Specification

Model No.	Rated Current
WB-SAE-EV32A	32A

Product Parameters

Rated Current	32A
Rated Voltage	250V AC
Contact Resistance	0.5mΩ Max
Operating Temperature	-30°C~+50°C
Insulation Resistance	> 10MΩ
Insertion & Withdrawal Force	< 100N
Protection Rating	IP54
Flammability Rating	UL94V-0
Casing Material	Thermoplastic
Terminal Material	Copper alloy, silver plated
Plug Lifespan	> 10000 mating cycles
Standards	EN62196-2 & SAEJ1772
Certification	CE
Warranty	24 months

Type 1 to Type 2 EV Adapter



Cable Specification

Model No.	Rated Current
WB-IEC-EV32A	32A

Product Parameters

Rated Current	32A
Rated Voltage	250V AC
Contact Resistance	0.5mΩ Max
Operating Temperature	-30°C~+50°C
Insulation Resistance	>10MΩ
Insertion & Withdrawal Force	<100N
Protection Rating	IP54
Flammability Rating	UL94V-0
Casing Material	Thermoplastic
Terminal Material	Copper alloy, silver plated
Plug Lifespan	>10000 mating cycles
Standards	IEC62196-2 & SAE J1772
Certification	CE
Warranty	24 months